

# Products for **reliable & efficient** power management systems.



**Price List 2022**  
(Effective from 01 Jan, 2022)



# About us

With a collective experience and expertise in the field of energy management, our mission is to contribute significantly to the world by helping people manage energy efficiently, reduce wastages, and drive sustainability. We collaborate and build innovative energy management products offering true solutions, that meet the highest quality standards of performance and value.



# INDEX

## Gen 4.0 Products

<b><u>Basic Panel Meters</u></b> (HSN Code: 9030) -----	<b>4</b>	<b><u>Automatic Changeover with Current Limiter</u></b> (HSN: 8536) -----	<b>27</b>
Ammeter / Voltmeter -----	4	Single Phase ACCL without Display, 4DIN, Relay Based -----	27
Voltmeter DIN-rail Construction (4DIN) -----	4	Single Phase ACCL without Display, 4DIN, Contactor Based -----	27
VAF Meter -----	5	Single Phase ACCL with Display, 4DIN, Relay Based -----	27
ADC/VDC Meter -----	5	3 Phase (EB) & Single Phase (DG) ACCL, Contactor Based -----	27
RPM Meter -----	5	3 Phase ACCL in 144x144mm construction, Contactor Based -----	27
Frequency Meter -----	5	<b><u>Automatic Transfer Switch (ATS)</u></b> (HSN Code: 8536) -----	<b>28</b>
Ammeter / Voltmeter with 3 Row Display -----	6	Automatic Transfer Switch 4P Motorized with Inbuilt Controller -----	28
VAF + PF Meter -----	6	Remotely Operated 4P Motorized Changeover Switch -----	28
Energy Meter - Counter Type -----	6	Solenoid based Automatic Transfer Switch (Open / Closed Transition) -----	28
<b><u>Digital Energy Meter</u></b> (HSN Code: 9030) -----	<b>7</b>	ATS Controller -----	28
Digital Meter with User Selectable Parameter -----	7	<b><u>Manual Transfer Switch (MTS)</u></b> (HSN Code: 8536) -----	<b>29</b>
Dual Source Energy Meter: Single Row Version -----	8	<b><u>Intelligent Networking devices</u></b> (HSN Code: 9030) -----	<b>30</b>
Dual Source Multifunction Meter DIN-rail Mount -----	8	IoT Gateway -----	30
Multifunction Meter / Load Manager -----	9	<b><u>NANOVIP - Power Quality Analyzers</u></b> (HSN Code: 9030) ---	<b>31</b>
Multifunction Meter with User Selectable Parameter (Group wise)-----	9		
Multifunction Load Manger -----	9		
<b><u>Smart DC Energy Meters</u></b> (HSN Code: 9030) -----	<b>10</b>		
Single Channel DC Energy Meter -----	10		
Four Channel DC Energy Meter -----	10		
<b><u>High Profile Digital Multifunction Meter</u></b> (HSN Code: 9030) -----	<b>11</b>		
High Profile MFM with RS485 -----	11		
High Profile MFM with RS485 and IO -----	12		
High Profile Dual Source Multifunction Meter with RS485 -----	12		
High Profile MFM with WiFi and IO -----	13		
High Profile MFM with BACnet -----	13		
MFM with RS485+Ethernet+USB with DL -----	14		
High Profile MFM with DM / DMC -----	14		
High Profile MFM with Harmonics & PQ -----	15		
Power Quality Meter with RS485+Ethernet+USB -----	15		
Class A Power Quality Meter with RS485+Ethernet+USB -----	16		
<b><u>Branch Circuit Monitor - EL-Tag</u></b> (HSN Code: 9030) -----	<b>17</b>		
EL-Tag Master Meter -----	17		
<b><u>Automatic Power Factor Controllers</u></b> (HSN Code: 8538)---	<b>18</b>		
Automatic Power Factor Controller: 96x96mm -----	18		
Automatic Power Factor Controller: 144x144mm -----	18		
<b><u>Intelligent Earth Leakage Relay</u></b> (HSN Code: 8536) -----	<b>19</b>		
Earth Leakage Relay, Panel mount -----	19		
Earth Leakage Relay, 2DIN -----	19		
Tape Wound Round CBCT -----	19		
Plastic Enclosure Round CBCT -----	19		
Tape Wound Rectangular CBCT -----	19		
<b><u>Multifunction Transducer</u></b> (HSN Code: 9030) -----	<b>20</b>		
AC Voltage Transducer with single output: 2DIN -----	20		
AC Current Transducer with single output: 2DIN -----	20		
Frequency Transducer with single output: 2DIN -----	20		
AC Voltage Transducer with dual output: 4DIN -----	21		
AC Current Transducer with dual output: 4DIN -----	21		
Frequency Transducer with dual output: 4DIN -----	21		
Power/PF Transducer with single output: 4DIN -----	21		
Power/PF Transducer with dual output: 4DIN -----	21		
Multifunction Transducer with 2 Analog Output: 4DIN -----	21		
Isolators: 4DIN (90x72mm) -----	22		
<b><u>Smart Prepaid &amp; Postpaid meters</u></b> (HSN Code: 9028) -----	<b>23</b>		
Single Phase Dual Source Postpaid/Prepaid Meter -----	24		
Three Phase Dual Source Postpaid/Prepaid Meter -----	24		
Three Phase Trisource Prepaid Meter -----	24		
Three Phase Dual Source CT Operated Postpaid/Prepaid Meter -----	24		
Smart meter Single Phase/Three Phase Direct -----	25		

### Terms & Conditions:

- The prices provided are exclusive of taxes and freight.
- Current GST 18%, subject to change as per Govt. notification.
- Product photographs are shown only for representative purposes.
- All products comes with **18 Months warranty**, unless otherwise specified.

### Certification

Available for selected models on request



**1800 120 5048**

info@elmeasure.com | www.elmeasure.com



# Make smart decisions.



THEIOX is an IoT platform built for analytics and making sense of data, to give actionable insights that improves your operational efficiency and overall profitability.



#### SMART ENERGY

- Continuous reliability
- High efficiency
- Operational reports



#### SMART BUILDINGS

- Utility bill tracking
- Preventive maintenance
- Tenant retention



#### SMART MANUFACTURING

- Operational intelligence
- Predictive maintenance
- Remote device control

Digital panel meters

**Products for all your energy and  
process monitoring needs.**



## Basic Panel Meters

Accurate measurements of basic electrical parameters such as voltage, current and frequency.



## Ammeter / Voltmeter

- World smallest depth (96x96x30mm)
- Wide measurement range 20mA to 6000mA
- Higher clearance and creepage; 9.5mm spacing
- Built in power supply for SL V and SL 3V models (Default)
- Auxiliary input of 180 to 300V AC for SL A and 3A
- Earth neutral measurement models available

Model	Description	CATCODE	Unit LP - ₹
<b>Ammeter / Voltmeter: Sleek Series (96X96mm)</b>			
SL V	Single Phase Voltmeter, Class 1.0	SL000VS00XX0000	1110
SL V	Single Phase Voltmeter, Class 0.5	SL000VS40XX0000	1430
SL A	Single Phase Ammeter, Class 1.0, 5A Inbuilt	SL000AS00000000	1110
SL A	Single Phase Ammeter, Class 0.5, 5A Inbuilt	SL000AS40000000	1430
SL A	Single Phase Ammeter, Class 1.0, 60A Hanging CT	SL000AP00730087	1640
SL A	Single Phase Ammeter, Class 1.0, 100A Hanging CT	SL000AP00A30087	1800
SL 3V	Three Phase Voltmeter, Class 1.0	SL003VS00XX0000	1650
SL 3V	Three Phase Voltmeter, Class 0.5	SL003VS40XX0000	2150
SL 3A	Three Phase Ammeter, Class 1.0, 5A Inbuilt	SL003AS00000000	1850
SL 3A	Three Phase Ammeter, Class 0.5, 5A Inbuilt	SL003AS40000000	2500
SL 3A	Three Phase Ammeter, Class 1.0, 60A Hanging CT	SL003AS00730000	2900
SL 3A	Three Phase Ammeter, Class 1.0, 100A Hanging CT	SL003AS00A30000	3200
<b>Voltmeter: Sleek Series in 4 DIN</b>			
SL V-D	Single Phase Earth to Neutral Measurement upto 70V, Class 1.0 (MOQ)	SL000VD00XX0000	1250
<b>Ammeter / Voltmeter: μAlpha Series (96X48mm)</b>			
μAlpha V	Single Phase Voltmeter, Class 1.0, 96x48mm	MA000VO00XX0000	1170
μAlpha V	Single Phase Voltmeter, Class 0.5, 96x48mm	MA000VO40XX0000	1480
μAlpha A	Single Phase Ammeter, Class 1.0, 5A Inbuilt, 96x48mm	MA000AO00000000	1170
μAlpha A	Single Phase Ammeter, Class 0.5, 5A Inbuilt, 96x48mm	MA000AO40000000	1480
μAlpha A	Single Phase Ammeter, Class 1.0, 60A Hanging CT, 96x48mm	MA000AO00730000	1670
μAlpha A	Single Phase Ammeter, Class 1.0, 100A Hanging CT, 96x48mm	MA000AO00A30087	1770
μAlpha 3V	Three Phase Voltmeter, Class 1.0, 96x48mm	MA003VO00XX0000	1750
μAlpha 3V	Three Phase Voltmeter, Class 0.5, 96x48mm	MA003VO40XX0000	2300
μAlpha 3A	Three Phase Ammeter, Class 1.0, 5A Inbuilt, 96x48mm	MA003AO00000000	1950
μAlpha 3A	Three Phase Ammeter, Class 0.5, 5A Inbuilt, 96x48mm	MA003AO40000000	2500
μAlpha 3A	Three Phase Ammeter, Class 1.0, 60A Hanging CT, 96x48mm	MA003AO00730000	3000
μAlpha 3A	Three Phase Ammeter, Class 1.0, 100A Hanging CT, 96x48mm	MA003AO00A30000	3250

**Note:** Din Rail version (4Din) is available (MOQ).  
 Earth to Neutral measurement option 1-24V available.  
 Clip-on CT and hanging CT (ID-25mm) up to 200A is available on request (MOQ).  
 80 to 300V AC/DC for SL series Rs. 500/- extra.

EX-stock Regular (Delivery in 5 working days)

## VAF Meter



- Universal Auxiliary (80-300V AC/DC) supply
- Universal Voltage Input (80-550V AC)
- Current Secondary (0.5A to 6A)
- Live phase indication with alarm option
- Average and phase wise measurement
- Password Protection

Model	Description	CATCODE	Unit LP - ₹
<b>VAF Meter: Alpha Series (96X96mm)</b>			
Alpha+ 3VAF	Three Phase VAF Meter, Class 1.0, 5A Inbuilt	AP3VAF00000000	2100
Alpha+ 3VAF	Three Phase VAF Meter, Class 1.0, 5A Inbuilt, Phase Indicator	AP3VAF000000BW	2850

## DC Voltmeter / Ammeter



- **Field programmable** full scale or offset value
- DC Vin - 10V / 48V / 100V / 500V / 800V, DC Ain - 50mV to 100mV (factory set)
- DC 0 to 20mA / 4 to 20mA analog input options- Programmable at site
- **Universal auxiliary input** of 40 to 300V AC/DC for 96x48mm size (Micro series)

Model	Description	CATCODE	Unit LP - ₹
<b>ADC/VDC Meter: Sleek Series (96X96mm)</b>			
SL ADC	DC Ammeter, Class 1.0, FS 75mV Shunt	SL0ADCS70N90000	1590
SL ADC	DC Ammeter, Class 0.5, FS 75mV Shunt	SL0ADCS80N90000	2050
SL VDC	DC Voltmeter, Class 1.0, FS VDC I/P	SL0VDCS70XX00BO	1590
SL VDC	DC Voltmeter, Class 0.5, FS VDC I/P	SL0VDCS80XX00BO	2050

<b>ADC/VDC Meter: μAlpha Series (96X48mm)</b>			
μAlpha ADC	DC Ammeter, Class 1.0, FS, 96x48mm	MA0ADCO70N90000	1640
μAlpha ADC	DC Ammeter, Class 0.5, FS, 96x48mm	MA0ADCO80N90000	2150
μAlpha VDC	DC Voltmeter, Class 1.0, FS, 96x48mm	MA0VDCO70XX00BO	1640
μAlpha VDC	DC Voltmeter, Class 0.5, FS, 96x48mm	MA0VDCO80XX00BO	2150



## RPM / Frequency Meter

- **4 digits with auto-scaling** makes the reading easier and provides a better resolution
- **Field programmable** Offset value or Full scale
- Voltage and Current terminal on opposite side for safety and easy wiring

Model	Description	CATCODE	Unit LP - ₹
<b>RPM Meter</b>			
SL RPM	RPM Meter, Class 1.0, Input 20mA	SL0RPMS002X0000	1590
SL RPM	RPM Meter, Class 1.0, Input VDC	SL0RPMS00XX00BO	1590
μAlpha RPM	RPM Meter, Class 1.0, 96x48mm	MA0RPMO002X0000	1640
μAlpha RPM	RPM Meter, Class 0.5, 96x48mm	MA0RPMO40XX00BO	2150
<b>Frequency Meter</b>			
SL Hz	Frequency Meter, Class 0.2	SL00HZS30XX0000	1540
μAlpha Hz	Frequency Meter, Class 0.2, 96x48mm	MA00HZO30XX0000	1640



## Voltmeter or Ammeter - 3 Row

Features of Voltmeter / Ammeter Plus

- **Universal auxiliary** input of 40 - 300V AC/DC
- Voltage and current terminals are opposite to each other for safety and easy wiring
- **Direct measurement** upto 100A Hanging CT
- **Patented alpha numeric display** for better visibility

Model	Description	CATCODE	Unit LP - ₹
<b>Ammeter / Voltmeter in 3 Row Display: Sleek Series (96X96mm)</b>			
SL 1340	Three Phase Voltmeter,3 Row, Class 1.0	SL1340S00XX0000	2050
SL 1340	Three Phase Voltmeter,3 Row, Class 0.5	SL1340S40XX0000	2450
SL 1340	Voltmeter,3 Row,Class 1.0, RS485	SL1340S01000000	3500
SL 1340	Voltmeter,3 Row,Class 0.5, RS485	SL1340S41000000	4050
SL 1330	Ammeter,3 Row, Class 1.0, 5A Inbuilt	SL1330S00000000	2250
SL 1330	Ammeter,3 Row Class 0.5, 5A Inbuilt	SL1330S40000000	2650
SL 1330	Ammeter,3 Row,Class 1.0, 5A Inbuilt,RS485	SL1330S01000000	3700
SL 1330	Ammeter,3 Row Class 0.5, 5A Inbuilt,RS485	SL1330S41000000	4250



## VAF + PF Meter

Features of SL 1330, 1340 Plus

- **Default alert** for 120% of over voltage VLL, 80% undervoltage VLL of PT primary & 100% over current of CT primary
- Default PF and RPM measurements

Model	Description	CATCODE	Unit LP - ₹
<b>VAF Meter: Sleek Series (96X96mm)</b>			
SL 1300	VAF Meter +PF, Class 1.0, 5A Inbuilt	SL1300S00000000	2600
SL 1300	VAF Meter +PF, Class 0.5, 5A Inbuilt	SL1300S40000000	3800
SL 1300	VAF Meter +PF, Class 1.0, 5A Inbuilt, RS485	SL1300S01000000	4200
SL 1300	VAF Meter +PF, Class 0.5, 5A Inbuilt, RS485	SL1300S41000000	5400
SL 1300	VAF Meter +PF, Class 1.0, 60A Hanging CT	SL1300S00730000	3650
SL 1300	VAF Meter +PF, Class 1.0, 100A Hanging CT	SL1300S00A30000	3900



## Energy Meter - Counter Type

- First time In India: **Dual display**, counter & LED- Eliminating the use of multiple meters- Reduces cost and simplifies panel wiring
- **Monitors 5 key electrical parameters** of the genset.
- **Simultaneous display** of kWh and V / A / Hz for GD 3110
- **Common CT, PT settings** for all parameters.
- Programmable for single phase & three phase applications.
- Reverse lock option

Model	Description	CATCODE	Unit LP - ₹
<b>Counter Type Energy Meter (96X96mm)</b>			
GD 3110	Energy Meter User Selectable,Class 1.0, 5A Inbuilt, Counter +LED type	GD3110P00000000	4150
GD 3110	Energy Meter User Selectable,Class 0.5, 5A Inbuilt, Counter +LED type	GD3110P40000000	5200
Smart 3E	Energy Meter User Selectable,Class 1.0, 5A Inbuilt, Counter type	SM003EP00000000	3300
Smart 3E	Energy Meter User Selectable,Class 0.5, 5A Inbuilt, Counter type	SM003EP40000000	4250

**Note:** Sealing Plate is at Rs. 200/- (Counter Meter)

EX-stock

Regular (Delivery in 5 working days)



## Digital Multifunction Meter

Measurement of various electrical load parameters such as current, power and energy.



### Digital Energy Meter

- Most **Compact** 96x96x47mm with communication
- **Low Starting Current** 10mA (for LG) 50mA (for  $\mu$ G)
- **User Selectable Parameters** for better stocking
- **Wide Measurement Range** 10mA to 6A (for LG) 50mA to 6A (for  $\mu$ G)
- **High sampling rate** 128 samples/cycle
- Individual phase wise energy through communication
- **Dynamic communication** register map - first in industry

Model	Description	CATCODE	Unit LP - ₹
<b>Digital Meter with User Selectable Parameter (any one): 96X96mm</b>			
LG 1119N	Energy Meter User Selectable, Class 1.0, 5A Inbuilt	LG1119S00000000	3300
LG 1119N	Energy Meter User Selectable, Class 0.5, 5A Inbuilt	LG1119S400000000	4300
LG 1119N	Energy Meter User Selectable, Class 1.0, RS485, 5A Inbuilt	LG1119S010000000	4950
LG 1119N	Energy Meter User Selectable, Class 0.5, RS485, 5A Inbuilt	LG1119S410000000	5900
LG 1119N	Energy Meter User Selectable, Class 1.0, 60A Hanging	LG1119S007300000	4350
LG 1119N	Energy Meter User Selectable, Class 1.0, 100A Hanging	LG1119S00A300000	4600
LG 1119N	Energy Meter User Selectable, Class 0.5, RS485, 60A Hanging	LG1119S417300000	6950
LG 1119N	Energy Meter User Selectable, Class 1.0, RS485, 100A Hanging	LG1119S01A300000	6250

<b>Digital Meter with User Selectable Parameter (any one): 96X48mm</b>			
$\mu$ G 1119	Digital Energy Meter, Class 1.0, 5A Inbuilt, 96x48mm	MG1119O000000000	3300
$\mu$ G 1119	Digital Energy Meter, Class 0.5, 5A Inbuilt, 96x48mm	MG1119O400000000	4300
$\mu$ G 1119	Digital Energy Meter, Class 1.0, 5A Inbuilt, RS485, 96x48mm	MG1119O010000000	4900
$\mu$ G 1119	Digital Energy Meter, Class 0.5, 5A Inbuilt, RS485, 96x48mm	MG1119O410000000	5900
$\mu$ G 1119	Digital Energy Meter, Class 1.0, 60A Hanging, 96x48mm	MG1119O007300000	4350
$\mu$ G 1119	Digital Energy Meter, Class 1.0, 100A Hanging, 96x48mm	MG1119O00A300000	4600
$\mu$ G 1119	Digital Energy Meter, Class 1.0, 60A Hanging, RS485, 96x48mm	MG1119O017300000	6000
$\mu$ G 1119	Digital Energy Meter, Class 1.0, 100A Hanging, RS485, 96x48mm	MG1119O01A300000	6250

<b>Digital Meter with User Selectable Parameter (any two): 96X48mm</b>			
$\mu$ G 1129	Digital Energy Meter, Class 1.0, 5A Inbuilt, 96x48mm	MG1129O000000000	4300
$\mu$ G 1129	Digital Energy Meter, Class 0.5, 5A Inbuilt, 96x48mm	MG1129O400000000	5300
$\mu$ G 1129	Digital Energy Meter, Class 1.0, RS485, 5A Inbuilt, 96x48mm	MG1129O010000000	6000
$\mu$ G 1129	Digital Energy Meter, Class 0.5, RS485, 5A Inbuilt, 96x48mm	MG1129O410000000	6900

**Note:** Available in 96x48 and in Din Rail (5 din)  
Up to 200A hanging CT is available (MOQ apply).

EX-stock

Regular (Delivery in 5 working days)

## Energy Meter Continued...

Model	Description	CATCODE	Unit LP - ₹
<b>Multifunction Meter: 96X48mm</b>			
μG 5110	MFM, Class 1.0, RS485, 5A Inbuilt, 96x48mm	MG5110O01000000	8700
μG 5110	MFM, Class 1.0, RS485, 100A Hanging, 96x48mm	MG5110O01A30000	9850
μG 5110	MFM, Class 1.0, 100A Hanging, 96x48mm	MG5110O00A30000	8250
μG 5110	MFM, Class 0.5, RS485, 5A Inbuilt, 96x48mm	MG5110O41000000	9950
μG 5110	MFM, Class 0.5, 60A Hanging, 96x48mm	MG5110O40730000	9450
μG 5110	MFM, Class 0.5, 5A Inbuilt, 96x48mm	MG5110O40000000	8350
μG 5110	MFM, Class 1.0, RS485, 60A Hanging, 96x48mm	MG5110O01730000	9600
μG 5110	MFM, Class 1.0, 5A Inbuilt, 96x48mm	MG5110O00000000	6950

## Dual Source Meter



Features of energy meter Plus;

- **Automatic switching** of display based on input source
- **Energy display programmable** - counter based or resolution based
- kWh or kVAh billing

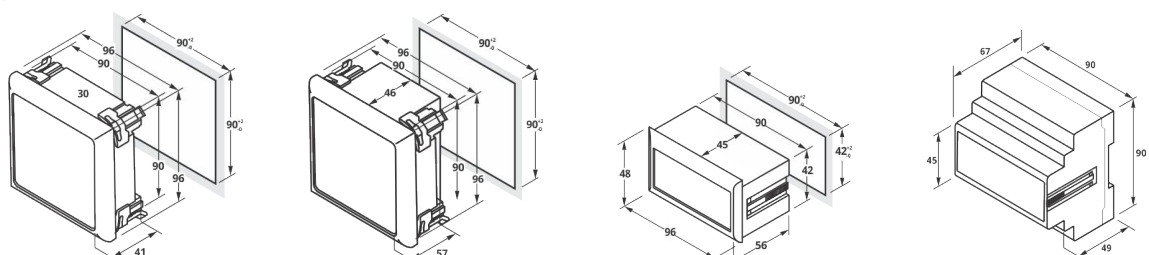
Model	Description	CATCODE	Unit LP - ₹
<b>Dual Source Energy Meter: Single Row Version (96X96mm) - EB - DG KWh</b>			
LG 1199	Dual Source Meter, Class 1.0, RS485, 5A Inbuilt	LG1199S01000092	4150
LG 1199	Dual Source Meter, Class 0.5, RS485, 5A Inbuilt	LG1199S41000092	5250
LG 1199	Dual Source Meter, Class 1.0, RS485, 60A Hanging	LG1199S01730092	5200

<b>Dual Source Energy Meter: Single Row Version (96X96mm) - W, VA, PF, EB-DG KWh, Ld Hrs</b>			
LG 3120N	Dual Source Energy Meter, Class 1.0, 5A Inbuilt	LG3120S00000092	5300
LG 3120N	Dual Source Energy Meter, Class 0.5, 5A Inbuilt	LG3120S40000092	6500
LG 3120N	Dual Source Energy Meter, Class 1.0, RS485, 5A Inbuilt	LG3120S01000092	6900
LG 3120N	Dual Source Energy Meter, Class 0.5, RS485, 5A Inbuilt	LG3120S41000092	8150
LG 3120N	Dual Source Energy Meter, Class 1.0, RS485, 60A Hanging	LG3120S01730000	7950
LG 3120N	Dual Source Energy Meter, Class 1.0, RS485, 100A Hanging	LG3120S01A30000	8200

<b>Dual Source Multifunction Meter: Single Row version (96X96mm) - VLL, VLN, A, W, VA, PF, EB-DG KWh, Ld Hrs</b>			
LG 5120N	Dual Source MFM, Class 1.0, RS485, 5A Inbuilt	LG5120S01000092	7400
LG 5120N	Dual Source MFM, Class 0.5, RS485, 5A Inbuilt	LG5120S41000092	8850
LG 5120N	Dual Source MFM, Class 1.0, RS485, 60A Hanging	LG5120S01730000	8500
LG 5120N	Dual Source MFM, Class 1.0, RS485, 100A Hanging	LG5120S01A30000	8750

<b>Dual Source Multifunction Meter: Same Parameters of LG5120N with Din Rail Mount</b>			
LG 5120D	Dual Source MFM, Class 1.0, RS485, 120A Direct	LG5120D01B00000	8500
LG 5120D	Dual Source MFM, Class 0.5, RS485, 120A Direct	LG5120D41B00000	9900
LG 5120D	Dual Source MFM, Class 1.0, WiFi, 120A Direct	LG5120D02B00000	10600
LG 5120D	Dual Source MFM, Class 0.5, WiFi, 120A Direct	LG5120D42B00000	12050

### Mechanical Diagram:



EX-stock

Regular (Delivery in 5 working days)

## Multifunction Meter / Load Manager



- **Graphical representation** of programmable load available for (A/W/VA)
- **Patented alpha numeric display** with Load Bar graph
- Universal auxiliary input of 80 to 300V AC/DC
- **Motor load efficiency** can be monitored for 5 different programmable slots along with run time for Watts / Current
- Non resettable OverVoltage Hour in communication mode for diagnostic
- 2/3/4 **Parameter group selectable** at field from Basic, Power, KVAR, Energy, Import, Export, **THD** (15<sup>th</sup> level)- makes stocking easy
- **Sliding demand** option for LG 6400
- **TCP IP option** with 256MB memory for LG 6400

Model	Description	CATCODE	Unit LP - ₹
<b>User Selectable Multifunction Meter: Any 2 group (Refer below) - 96X96mm</b>			
LG 6425N	MFM, Class 1.0, RS485, 5A Inbuilt	LG6425N01000000	6050
LG 6425N	MFM, Class 0.5S, RS485, 5A Inbuilt	LG6425N51000000	7150
LG 6425N	MFM, Class 1.0, RS485, 60A Hanging	LG6425N01730000	7100
LG 6425N	MFM, Class 1.0, RS485, 100A Hanging	LG6425N01A30000	7350

<b>User Selectable Multifunction Meter: Any 3 group (Refer below) - 96X96mm</b>			
LG 6435N	MFM, Class 1.0, RS485, 5A Inbuilt	LG6435N01000000	7950
LG 6435N	MFM, Class 0.5S, RS485, 5A Inbuilt	LG6435N51000000	9500
LG 6435N	MFM, Class 1.0, RS485, 60A Hanging	LG6435N01730000	9000
LG 6435N	MFM, Class 1.0, RS485, 100A Hanging	LG6435N01A30000	9300

<b>User Selectable Multifunction Meter: Any 4 group (Refer below) - 96X96mm</b>			
LG 6445N	MFM, Class 1.0, RS485, 5A Inbuilt	LG6445N01000000	9400
LG 6445N	MFM, Class 0.5S, RS485, 5A Inbuilt	LG6445N51000000	11000
LG 6445N	MFM, Class 0.2S, RS485, 5A Inbuilt	LG6445N21000000	16000

<b>Multifunction Load Manger - 96X96mm</b>			
LG 6400N	MFM, Class 1.0, RS485, 5A Inbuilt	LG6400N01000000	10200
LG 6400N	MFM, Class 0.5S, RS485, 5A Inbuilt	LG6400N51000000	12350
LG 6400N	MFM, Class 0.2S, RS485, 5A Inbuilt	LG6400N21000000	18500
LG 6400N	MFM, Class 1.0, RS485, 60A Hanging	LG6400N01730000	11300
LG 6400N	MFM, Class 1.0, RS485, 100A Hanging	LG6400N01A30000	11500
LG 6400N	MFM with Demand, Class 1.0, RS485, 5A Inbuilt	LG6400N01000021	13500
LG 6400N	MFM with Demand, Class 0.5S, RS485, 5A Inbuilt	LG6400N51000021	15650
LG 6400N	MFM with Demand, Class 0.2S, RS485, 5A Inbuilt	LG6400N21000021	21850
LG 6400N	MFM, Class 0.5S, Ethernet-MQTT, 5A Inbuilt	LG6400N5C000000	32150

### Selection table for Parameter Groups

GROUP 1 (Basic)
V V1 V2 V3 V12 V23 V31
A A1 A2 A3
Hz
RPM
Phase angle V/A
Unbalance V/A

GROUP 2 (Power)
PF PF1 PF2 PF3
W W1 W2 W3
VA VA1 VA2 VA3

GROUP 3 (Energy)
Wh (Import)
VAh (Import)
Load Hours (Import)
ON Hours
Individual phase energy via communication
Number of interruptions
CO2

GROUP 4 (Reactive)
VAR VAR1 VAR2 VAR3
kVARh inductive (Import)
kVARh capacitive (Import)

GROUP 5 (Energy Export)
Wh (Export)
VAh (Export)
Load Hours (Export)

GROUP 6 (Reactive Export)
VAR VAR1 VAR2 VAR3
kVARh inductive (Export)
kVARh capacitive (Export)

GROUP 7 (THD)
Voltage THD upto 15th order
Current THD upto 15th order

**LG 6425:** Any 2 groups can be programmable, **LG6435:** Any 3 groups can be programmable, **LG 6445:** Any 4 groups can be programmable

**Note:** Measurement parameters for each model can be referred from the [catalogue](#).

EX-stock

Regular (Delivery in 5 working days)

EDC series

# Smart DC Energy Meters

Accurate measurements of electrical parameters such as DC voltage, current and energy.

## EDC Meter



- **Simultaneous sampling** of Volts and Amps
- **Bidirectional current measurement** to study charging and discharging
- **EDC 1100** displays Voltage, Current, Watts & Energy for 1 channel, **EDC 4100** displays Voltage for 1 channel, Current, Watts & Energy for 4 channel
- **Differential current input** for all the current channels- Interchannel interference is avoided
- 45 days of Snapshot option

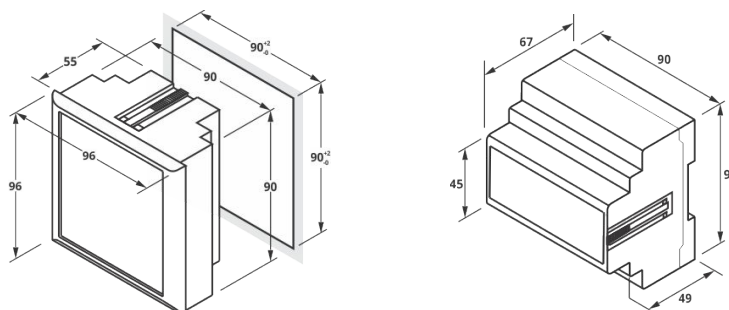
Model	Description	CATCODE	Unit LP - ₹
<b>Single Channel DC Energy Meter: 96x96mm</b>			
EDC 1100	Single Channel DC Energy Meter, Class 1.0, 75mV Shunt	ED1100P00N90000	4150
EDC 1100	Single Channel DC Energy Meter, Class 0.5, 75mV Shunt	ED1100P40N90000	6250
EDC 1100	Single Channel DC Energy Meter, Class 1.0, RS485, 75mV Shunt	ED1100P01N90000	5700
EDC 1100	Single Channel DC Energy Meter, Class 0.5, RS485, 75mV Shunt	ED1100P41N90000	7850

<b>Single Channel DC Energy Meter: DIN-Rail 90x90mm</b>			
EDC 1100-D	Digital Meter Class 1 RS485 75mV Shunt	ED1100D01N90000	4130

<b>Four Channel DC Energy Meter: 96x96mm</b>			
EDC 4100	Four Channel DC Energy Meter, Class 1.0, 75mV Shunt	ED4100P00N90000	7000
EDC 4100	Four Channel DC Energy Meter, Class 1.0, RS485, 75mV Shunt	ED4100P01N90000	8600
EDC 4100	Four Channel DC Energy Meter, Class 0.5, RS485, 75mV Shunt	ED4100P41N90000	10050
EDC 4100	Four Channel DC Energy Meter, Class 1.0, 75mV Shunt, 1 DO	ED4100P00N90100	8600

**Note:** Optional auxiliary input of 10 to 60V DC available (MOQ applied).  
Four Channel DC energy Meter with Hall-effect CT available on request.

### Mechanical Diagram:



EX-stock Regular (Delivery in 5 working days)

## High Profile Digital Multifunction Meter

Simultaneous measurement of high profile parameters for diagnosing your power and energy quality.



### High Profile MFM with RS485

Features of LG 6400 Plus

- **Built in RTC**
- **Higher sampling rate** 512 Samples/Cycle
- **Phase wise energy** available through communication
- **CO2 emission, ON Hrs, Power interruptions**
- Measures **Incl. harmonics** up to 63rd level
- **Dynamic communication** - user selectable parameter sequence of register map
- **High / Low Profile with Time Stamp**
- **12am & 31st day snap shot** thru communication
- **Crest factor & K factor**
- Programmable **starting current**
- **Bar-graph** of load- selectable for Amps or Watts

For PN series, features of EN Plus

- 8 parameter **graphical display** & 8 digits energy
- **Instantaneous V & I waveforms**

Model	Description	CATCODE	Unit LP - ₹
<b>High Profile Multifunction Meter with RS485: 96x96mm</b>			
EN 8400N	LED High Profile MFM, Class 1.0, RS485, 5A Inbuilt	EN8400N01000000	12100
EN 8400N	LED High Profile MFM, Class 0.5S, RS485, 5A Inbuilt	EN8400N51000000	14300
EN 8400N	LED High Profile MFM, Class 0.2S, RS485, 5A Inbuilt	EN8400N21000000	19800
EN 8400N	LED High Profile MFM, Class 0.5S, RS485, 5A Inbuilt, Ind Har 63rd	EN8400N51000004	16000
PN 8700N	LCD High Profile MFM, Class 1.0, RS485, 5A Inbuilt	PN8700N01000000	16550
PN 8700N	LCD High Profile MFM, Class 0.5S, RS485, 5A Inbuilt	PN8700N51000000	19800
PN 8700N	LCD High Profile MFM, Class 0.2S, RS485, 5A Inbuilt	PN8700N21000000	25850
PN 8700N	LCD High Profile MFM, Class 0.5S, RS485, 5A Inbuilt, Ind Har 63rd	PN8700N51000004	22150

## High Profile MFM with RS485 and IO



### Features of EN 8400 Plus

- **Programmable I/O** option - first time in metering segment
  - **DI** for status, pulse counting or RPM
  - **Built in timer** to avoid spurious pulses
  - **DO** for any parameters measured **Under** or **Over** V/A/Hz (almost 25 parameters)
- **Potential free contacts** with programmable time delay up to 1-180 seconds, hysteresis of 1%
- **User configurable app** for threshold settings
- Controllable through **THEIOX** platform

Model	Description	CATCODE	Unit LP - ₹
<b>High Profile Multifunction Meter with RS485 and Input Output : 96x96mm</b>			
EN 8400N	High Profile MFM (LED), Class 1.0, RS485, 5A Inbuilt, 1DO	EN8400N01000100	14850
EN 8400N	High Profile MFM (LED), Class 0.5S, RS485, 5A Inbuilt, 2DO	EN8400N51000200	19800
EN 8400N	High Profile MFM (LED), Class 0.5S, RS485, 5A Inbuilt, 4DO	EN8400N51000300	23100
EN 8400N	High Profile MFM (LED), Class 1.0, RS485, 5A Inbuilt, 1DI	EN8400N01000400	13800
EN 8400N	High Profile MFM (LED), Class 0.5S, RS485, 5A Inbuilt, 4DI	EN8400N51000700	19300
EN 8400N	High Profile MFM (LED), Class 1.0, RS485, 5A Inbuilt, 2AI	EN8400N01000900	14850
EN 8400N	High Profile MFM (LED), Class 0.5S, RS485, 5A Inbuilt, 1AO	EN8400N51001000	17050
EN 8400N	High Profile MFM (LED), Class 0.5S, RS485, 5A Inbuilt, 2AO	EN8400N51001100	19800
EN 8400N	High Profile MFM (LED), Class 0.5S, RS485, 5A Inbuilt, 2DI 2DO	EN8400N51001600	22600
EN 8400N	High Profile MFM (LED), Class 0.2S, RS485, 5A Inbuilt, 2DI 2DO	EN8400N21001600	28100
EN 8400N	High Profile MFM (LED), Class 0.5S, RS485, 5A Inbuilt, 2AI 2DO	EN8400N51002200	22600
EN 8400N	High Profile MFM (LED), Class 0.5S, RS485, 5A Inbuilt, 4DI 2DO	EN8400N51002600	24800
PN 8700N	High Profile MFM (LCD), Class 0.5S, RS485, 5A Inbuilt, 2DO	PN8700N51000200	25350
PN 8700N	High Profile MFM (LCD), Class 0.5S, RS485, 5A Inbuilt, 4DO	PN8700N51000300	28600
PN 8700N	High Profile MFM (LCD), Class 0.5S, RS485, 5A Inbuilt, 4DI	PN8700N51000700	24800
PN 8700N	High Profile MFM (LCD), Class 1.0, RS485, 5A Inbuilt, 2AI	PN8700N01000900	19300
PN 8700N	High Profile MFM (LCD), Class 0.5S, RS485, 5A Inbuilt, 2AO	PN8700N51001100	25350
PN 8700N	High Profile MFM (LCD), Class 0.5S, RS485, 5A Inbuilt, 2DI 2DO	PN8700N51001600	28100
PN 8700N	High Profile MFM (LCD), Class 0.5S, RS485, 5A Inbuilt, 2AI 2DO	PN8700N51002200	28100
PN 8700N	High Profile MFM (LCD), Class 0.5S, RS485, 5A Inbuilt, 4DI 2DO	PN8700N51002600	30300



## High Profile Dual Source Multifunction Meter with RS485

### Features of EN meter Plus

- **Dual source** - automatic switching based on input
- **Revenue accuracy** of Class 0.5S as per IEC 62053-22
- **Dual source with Demand /TOD** option

Model	Description	CATCODE	Unit LP - ₹
<b>High Profile Dual Source Multifunction Meter with RS 485</b>			
EN 8420N	High Profile Dual Source MFM Class 1.0, RS485, 5A Inbuilt	EN8420N01000092	13250
EN 8420N	High Profile Dual Source MFM, Class 0.5S, RS485, 5A Inbuilt	EN8420N51000092	15500
EN 8420N	High Profile Dual Source Demand Monitor Class 0.5S, RS485, 5A Inbuilt	EN8420N51000021	24250
EN 8420N	High Profile Dual Source Demand Monitor with TOD, Class 0.5S, RS485, 5A Inbuilt	EN8420N51000089	29800



## High Profile MFM with WiFi and IO

Features of EN 8400N, IO Plus

- **Auto configuration** for THEIOX software
- **Cloud connectivity** through Wifi
- Default **1MB memory**
- Diagnostics information
- **MQTT communication** with configurable time interval (minimum of 1 minute data transmission - THEIOX supported) or Modbus TCP or RTU
- Optional IO upto 4DI+2DO

Model	Description	CATCODE	Unit LP - ₹
<b>High Profile MultiFunction Meter with WiFi and IO</b>			
EN 8400N	High Profile MFM, Class 1.0, WiFi, 5A Inbuilt, Memory 1MB	EN8400N02000003	20350
EN 8400N	High Profile MFM, Class 0.5S, WiFi, 5A Inbuilt, Memory 1MB	EN8400N52000003	22600
EN 8400N	High Profile MFM, Class 0.2S, WiFi, 5A Inbuilt, Memory 1MB	EN8400N22000003	28100
EN 8400N	High Profile MFM, Class 0.5S, WiFi, 5A Inbuilt, 4DI, Memory 1MB	EN8400N52000703	27550
EN 8400N	High Profile MFM, Class 0.5S, WiFi, 5A Inbuilt, 4DO, Memory 1MB	EN8400N52000303	31400
EN 8400N	High Profile MFM, Class 0.2S, WiFi, 5A Inbuilt, 4DI+2DO, Memory 1MB	EN8400N22002603	38600
EN 8400N	High Profile MFM, Class 0.5S, WiFi, 5A Inbuilt, 4DI+2DO, Memory 1MB	EN8400N52002603	33050
EN 8400N	High Profile MFM, Class 0.5S, WiFi, 4DI+2DO, Memory 1MB with 100A Hanging CT	EN8400N52A32603	34400

## High Profile MFM with BACnet



Features of EN 8400N Plus

- **Dual communication port**
- Acts as **BACnet server** and responds to all BACnet clients on request
- Supports “Who-is, I-am, Who-has, I-have” service messages on client connection
- Supports read and read-multiple
- Supports object types - **Analog Input**
- Supports totally **244 parameters** – limited individual harmonics up to 15
- **Web page based configurations**

Model	Description	CATCODE	Unit LP - ₹
<b>High Profile MultiFunction Meter with Bacnet</b>			
EN 8400N	High Profile MFM (LED), Class 1.0, Bacnet, 5A Inbuilt	EN8400N04000000	35300
EN 8400N	High Profile MFM (LED), Class 0.5S, Bacnet, 5A Inbuilt	EN8400N54000000	37500
EN 8400N	High Profile MFM (LED), Class 0.2S, Bacnet, 5A Inbuilt	EN8400N24000000	43050
PN 8700N	High Profile MFM (LCD), Class 1.0, Bacnet, 5A Inbuilt	PN8700N04000000	39650
PN 8700N	High Profile MFM (LCD), Class 0.5S, Bacnet, 5A Inbuilt	PN8700N54000000	43050
PN 8700N	High Profile MFM (LCD), Class 0.2S, Bacnet, 5A Inbuilt	PN8700N24000000	49100

## MFM with RS485+Ethernet+USB with DL



### Features of EN 8400 Plus

- **Dual communication port**- RS485 & Ethernet
- **Datalogger** - with 256MB for IOT device
- 1/15/30/60 minutes can be selected with **multiple parameters selection**
- **Individual harmonics upto 63rd**
- **Built in Webserver**

Model	Description	CATCODE	Unit LP - ₹
<b>High Profile Multifunction Meter with RS485+Ethernet+USB 256 MB data log</b>			
EN 8400N	MFM, Class 1.0, RS485+Ethernet+USB, 256MB DL, 5A Inbuilt, Ind Har 63rd	EN8400N0R0000BZ	33600
EN 8400N	MFM, Class 0.5S, RS485+Ethernet+USB, 256MB DL, 5A Inbuilt, Ind Har 63rd	EN8400N5R0000BZ	36050
EN 8400N	MFM, Class 0.2S, RS485+Ethernet+USB, 256MB DL, 5A Inbuilt, Ind Har 63rd	EN8400N2R0000BZ	41350
EN 8400N	MFM, Class 0.5S, RS485+Ethernet+USB, 256MB DL, 5A Inbuilt, 2DI+2DO, Ind Har 63rd	EN8400N5R0016BZ	44100
EN 8400N	MFM, Class 0.5S, RS485+Ethernet+USB, 256MB DL, 5A Inbuilt, 2AI+2DO, Ind Har 63rd	EN8400N5R0022BZ	44100
PN 8700N	MFM (LCD), Class 1.0, RS485+Ethernet+USB, 256MB DL, 5A Inbuilt, Ind Har 63rd	PN8700N0R0000BZ	36350
PN 8700N	MFM (LCD), Class 0.5S, RS485+Ethernet+USB, 256MB DL, 5A Inbuilt, Ind Har 63rd	PN8700N5R0000BZ	39650
PN 8700N	MFM (LCD), Class 0.5S, RS485+Ethernet+USB, 256MB DL, 5A Inbuilt, 2DI+2DO, Ind Har 63rd	PN8700N5R0016BZ	47900
PN 8700N	MFM (LCD), Class 0.5S, RS485+Ethernet+USB, 256MB DL, 5A Inbuilt, 2AI+2DO, Ind Har 63rd	PN8700N5R0022BZ	47900
PN 8700N	MFM (LCD), Class 0.2S, RS485+Ethernet+USB, 256MB DL, 5A Inbuilt, 2DI+2DO, Ind Har 63rd	PN8700N2R0016BZ	54050

## High Profile MFM with DM / DMC



### Features of EN 8400 (with in-built RTC) Plus

- **Demand Prediction** based on sliding and fixed.
- **Max Demand** 4 high/4 low, Flash 1MB, 12 am snapshot, 31st day snapshot
- Demand update every second to forecast kVA, kW & kVAR concurrently
- Either 2 or 4 Relay outputs for **circuit breaker or contactor control** for demand controller
- Optional 8 **Demand and Energy TOD** slots

Model	Description	CATCODE	Unit LP - ₹
<b>High Profile Multifunction Meter with Demand Monitor and control, 1MB Memory</b>			
EN 8400N	High Profile Demand Monitor (LED), Class 1.0, RS485,5A Inbuilt	EN8400N010000C2	19100
EN 8400N	High Profile Demand Monitor (LED), Class 0.5S, RS485,5A Inbuilt	EN8400N510000C2	21200
EN 8400N	High Profile Demand Monitor (LED), Class 0.2S, RS485,5A Inbuilt	EN8400N210000C2	26500
EN 8400N	High Profile 2DO Demand Controller (LED), Class 1.0, RS485, 5A Inbuilt	EN8400N010002C4	22250
EN 8400N	High Profile 2DO Demand Controller (LED), Class 0.5S, RS485, 5A Inbuilt	EN8400N510002C4	24400
EN 8400N	High Profile 4DO Demand Controller (LED), Class 1.0, RS485, 5A Inbuilt	EN8400N010003C4	29800
EN 8400N	High Profile 4DO Demand Controller (LED), Class 0.5S, RS485, 5A Inbuilt	EN8400N510003C4	32000
EN 8400N	High Profile 4DO Demand Controller (LED), Class 0.2S, RS485, 5A Inbuilt	EN8400N210003C4	37500
EN 8400N	High Profile 4DO Demand Controller (LED), Class 0.5S, RS485, TOD, 5A Inbuilt	EN8400N510003AC	37450
PN 8700N	High Profile Demand Monitor (LCD), Class 0.5S, RS485, 5A Inbuilt	PN8700N51000021	28300
PN 8700N	High Profile Demand Monitor (LCD), Class 0.2S, RS485,5A Inbuilt	PN8700N210000C2	34750
PN 8700N	High Profile 4DO Demand Controller (LCD), Class 1.0, RS485, 5A Inbuilt	PN8700N010003C4	34150
PN 8700N	High Profile 4DO Demand Controller (LCD), Class 0.5S, RS485, 5A Inbuilt	PN8700N510003C4	37500
PN 8700N	High Profile 4DO Demand Controller (LCD), Class 0.2S, RS485, 5A Inbuilt	PN8700N210003C4	43550
PN 8700N	High Profile 4DO Demand Controller (LCD), Class 0.5S, RS485, TOD, 5A Inbuilt	PN8700N510003AC	43000

EX-stock

Regular (Delivery in 5 working days)



## High Profile MFM with Harmonics & PQ



### Features of EN 8400 Plus

- Measures **THD** and **Individual harmonics** upto 63rd order with a sampling rate of 512 samples/cycle
- Captures and measures **power quality events: K Factor, Crest factor, Sag/Swell, Interruption** and unbalance in accordance with EN 50160
- Record events such as **Sag/Swell** for voltage with the time stamp in 1s duration
- Representation of **waveforms** for instantaneous V,I, Sag/Swell. Voltage and Current harmonics histogram (PN only)
- Phase wise voltage** sag/swell waveforms (PN only)

Model	Description	CATCODE	Unit LP - ₹
<b>High Profile Multifunction Meter with RS485 1MB data log Ind Har, PQ</b>			
EN 8400N	Power Quality Meter (LED), Class 0.5S, RS485, 1MB Data Logger, Ind Har 63rd,PQ, 5A Inbuilt	EN8400N510000C0	38050
EN 8400N	Power Quality Meter (LED), Class 0.5S, RS485, 1MB Data Logger, Ind Har 63rd, 5A Inbuilt, 2DI+2DO	EN8400N510016C0	46300
PN 8700N	Power Quality Meter (LCD), Class 0.5S, RS485, 1MB Data Logger, Ind Har 63rd, 5A Inbuilt	PN8700N510000C0	44300
PN 8700N	Power Quality Meter (LCD), Class 0.5S, RS485, 1MB Data Logger, Ind Har 63rd, 5A Inbuilt, 2DI+2DO	PN8700N510016C0	52600
PN 8700N	Power Quality Meter (LCD), Class 0.2S, RS485, 1MB Data Logger, Ind Har 63rd, 5A Inbuilt, 2DI+2DO	PN8700N210016C0	58600



## Power Quality Meter with RS485+Ethernet+USB

### Features of EN PQ meter Plus

- Dual communication** port- RS485, Ethernet- simultaneous polling
- Built in web server** displays all the parameters and waveform for Voltage and current
- 256MB storage downloadable through USB - Continuous logging in pendrive upto 8GB
- 12AM snapshot** for 100 days for 29 parameters through RS485
- 31st day snap shot** for 36 months through RS485

Model	Description	CATCODE	Unit LP - ₹
<b>Power Quality Meter with RS485+Ethernet+USB, 256MB data log</b>			
EN 8400N	Power Quality Meter (LED), Class 0.5S, RS485+Ethernet+USB, 256MB Data Logger, Ind Har 63rd, 5A Inbuilt	EN8400N5R0000C1	Price on Request
EN 8400N	Power Quality Meter (LED), Class 0.5S, RS485+Ethernet+USB, 256MB Data Logger, Ind Har 63rd, 5A Inbuilt, 2DI+2DO	EN8400N5R0016C1	
PN 8700N	Power Quality Meter (LCD), Class 0.5S, RS485+Ethernet+USB, 256MB Data Logger, Ind Har 63rd, 5A Inbuilt	PN8700N5R0000C1	
PN 8700N	Power Quality Meter (LCD), Class 0.5S, RS485+Ethernet+USB, 256MB Data Logger, Ind Har 63rd, 5A Inbuilt, 2DI+2DO	PN8700N5R0016C1	
PN 8700N	Power Quality Meter (LCD), Class 0.2S, RS485+Ethernet+USB, 256MB Data Logger, Ind Har 63rd, 5A Inbuilt, 2DI+2DO	PN8700N2R0016C1	



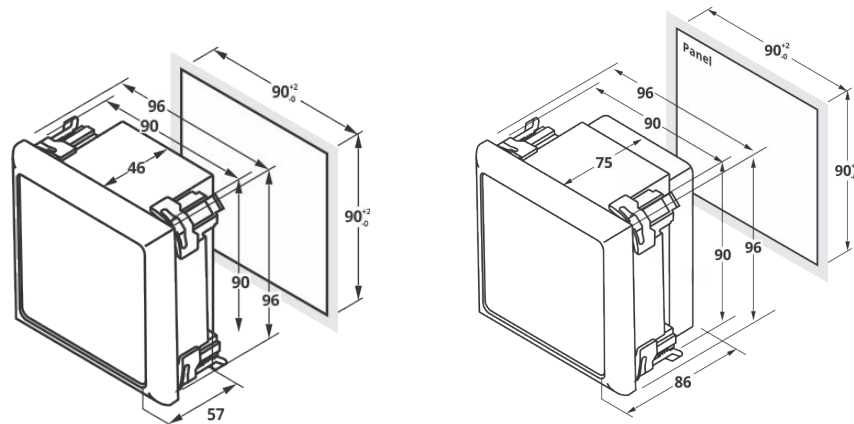
## Class A Power Quality Meter with RS485+Ethernet+USB

### Features of EN PQ meter Plus

- **Revenue accuracy** of Class 0.2S as per IEC 62053-22
- **Ideal for incomers** or high energy users
- **High sampling** rate of 1024 Samples/Cycle, Waveform recording, sag/swell monitoring- **First in Industry in 96x96 panel meter**
- **Sag Swell**, Interruptions, **Flicker and Transient** up to 5kHz as per IEC 61000-4-30 with Waveform storage
- Measures up to **101 th level of Individual Harmonics**
- **Built in web server** displays all the parameters and **Waveform**
- **256MB storage** downloadable through USB - continuous logging in pendrive upto 8GB
- **Data collection in IOT server** based on MQTT
- **12AM snapshot** for 100 days for 29 parameters through RS485
- **31st day snap shot** for 48 months through RS485

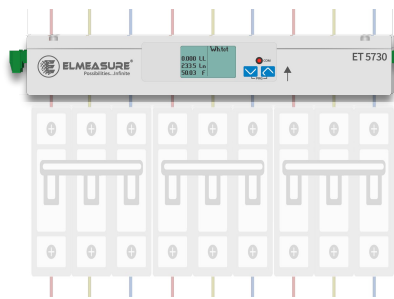
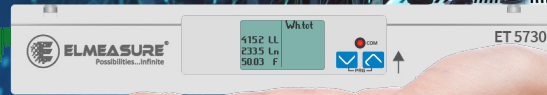
Model	Description	CATCODE	Unit LP - ₹
<b>Class A Power Quality Meter with RS485+Ethernet+USB, 256MB data log (New)</b>			
PQ 8000	PQ Meter (LCD), Class A, Class 0.5S, RS485+Ethernet+USB, 256 MB Data Logger, Ind Har 63rd, 5A Inbuilt, 2DI+2DO	PQ8000N5R0000AG	<b>Price on Request</b>
PQ 8000	PQ Meter (LCD), Class A, Class 0.2S, RS485+Ethernet+USB, 256 MB Data Logger, Ind Har 63rd, 5A Inbuilt, 2DI+2DO	PQ8000N2R0000AG	

### Mechanical Diagram:



# EL-Tag series

## Zero Space Branch Circuit monitors



### Multichannel Load Manager - EL-Tag

- **Pass-through wiring:** No separate spacing requirements for CT and CT cabling as EL-Tag offers direct pass through features (32A, 50A).
- **A highly compact device:** EL-Tag occupies only an area of 165mm x 25mm (compared to the conventional 3 metering devices (3 phase) and 9 metering devices (1 phase), thus reducing the space requirement by more than 80% compared to the other devices.

#### EL-Tag Master Meter

Features of EN8400N Plus

- Acts as Gateway for 12 numbers of EL-Tag
- Act as local display of key parameters of EL-Tag
- Incomer monitoring along with distribution monitoring.

Model	Description	CATCODE	Unit LP - ₹
ET 5030	Multi Channel Load Manager, Class 1 RS485 5A Inbuilt Without Display - 9 Channel	ET50300010000BQ	23100
ET 5030	Multi Channel Load Manager, Class 1 RS485 32A Inbuilt Without Display - 9 Channel	ET50300014000BQ	23100
ET 5030	Multi Channel Load Manager, Class 1 RS485 50A Inbuilt Without Display - 9 Channel	ET50300016000BQ	24250
ET 5720	Multi Channel Load Manager, Class 1 RS485 5A Inbuilt Dual source AMF 240 + with display - 9 Channel	ET57200010000BR	26400
ET 5720	Multi Channel Load Manager, Class 1 RS485 50A Inbuilt Dual source AMF 240 + with display - 9 Channel	ET57200014000BR	27550
ET 5730	Multi Channel Load Manager, Class 1 RS485 5A Inbuilt With Display - 9 Channel	ET57300010000AU	26400
ET 5730	Multi Channel Load Manager, Class 1 RS485 32A Inbuilt With Display - 9 Channel	ET57300014000AU	26400
ET 5730	Multi Channel Load Manager, Class 1 RS485 50A Inbuilt With Display - 9 Channel	ET57300016000BS	26450

**Accessories:** DIN rail clamp one set Rs. 250/-.

### EL-Tag Master Meter

Model	Description	CATCODE	Unit LP- ₹
PN 8700M	Digital Multifunction Meter, Class 1.0, RS485, 5A Inbuilt (EL-Tag Master)	PN8700N010000BN	Price on Request
PN 8700M	Digital Multifunction Meter, Class 0.5S, RS485+Ethernet+USB, 5A Inbuilt (EL-Tag Master)	PN8700N5R0000BN	

APFC series

# Automatic Power Factor Controllers

Intelligent PF monitoring with accurate auto-compensation for a single, group or a centralised reactive load.



## APFC: 96x96mm and 144x144mm

- **4, 6, 8,10, stage** switching relay outputs for APFC 640
- **10, 12,16 stage** switching relay outputs for APFC 440
- Manual/Automatic operation
- **Fault detection** (overcompensation, under/over voltage, over current, under voltage/current, over harmonics, Rev Amps for voltage and current)
- Three phase sensing for **accurate measurement** of PF or Single CT sensing programmable option

Model	Description	CATCODE	Unit LP - ₹
<b>Automatic Power Factor Controller: 96x96mm</b>			
APFC 640	Power Factor Controller, Class 1.0, 5A Inbuilt, 4 Stage	AP0640O000000BG	8500
APFC 640	Power Factor Controller, Class 1.0, 5A Inbuilt, 6 Stage	AP0640O000000BF	9000
APFC 640	Power Factor Controller, Class 1.0, 5A Inbuilt, 8 Stage	AP0640O000000BE	10600
APFC 640	Power Factor Controller, Class 1.0, 5A Inbuilt, 10 Stage	AP0640O000000BV	12400
APFC 640	Power Factor Controller, Class 1.0, 5A Inbuilt, RS485, 10 Stage	AP0640O010000BV	14000
<b>Automatic Power Factor Controller: 144x144mm</b>			
APFC 440	Power Factor Controller, Class 1.0, 5A Inbuilt, 10 Stage	APF440O000000BV	12700
APFC 440	Power Factor Controller, Class 1.0, 5A Inbuilt, 12 Stage	APF440O000000BD	13900
APFC 440	Power Factor Controller, Class 1.0, 5A Inbuilt, RS485, 12 Stage	APF440O010000BD	15500
APFC 440	Power Factor Controller, Class 1.0, 5A Inbuilt, 16 Stage	APF440O000000BB	18000
APFC 440	Power Factor Controller, Class 1.0, 5A Inbuilt, RS485, 16 Stage	APF440O010000BB	19600

**Note:**

Cloud connectivity option to THEIOX Platform available on Monthly charge basis.

EX-stock

Regular (Delivery in 5 working days)

# Intelligent Earth Leakage Relay

Protecting lives as well as your electrical equipments from earth leakage hazards.

## iELR: Panel / DIN rail



- **Field programmable** trip current and trip time through front panel keys with password protection.
- **Intelligent Tripping ; Inverse Curve** - Trip time is inversely proportional to fault current.
- Manual test & reset keys
- Continuous scrolling display for set current and set time
- Continuous earth Leakage value display helps online loss analysis.
- RS485 is optional

Model	Description	CATCODE	Unit LP - ₹
<b>Earth Leakage Relay, 96x96mm Panel mounted</b>			
iELR 300	Earth Leakage Relay, Panel Mounting, 30mA to 3A Class 5FS	EL0300PA0Z70000	2750
iELR 300	Earth Leakage Relay, Panel Mounting, 300mA to 30A Class 5FS	EL0300PA0370000	2750
iELR 300	Earth Leakage Relay, Panel Mounting, 30mA to 3A, Class 2FS	ELR300P90Z70000	2950
iELR 300	Earth Leakage Relay, Panel Mounting, 300mA to 30A, Class 2FS	ELR300P90370000	2950
iELR 300	Earth Leakage Relay, Panel Mounting, 30mA to 3A, Class 2FS, RS 485	ELR300P91Z70000	4550
iELR 300	Earth Leakage Relay, Panel Mounting, 300mA to 30A, Class 2FS, RS 485	ELR300P91370000	4550
<b>Earth Leakage Relay, 2 DIN</b>			
iELR-200D	Earth Leakage Relay, DIN-Rail Mounting, 30mA TO 3A, Class 2FS	ELR200D90Z70000	2950
iELR-200D	Earth Leakage Relay, DIN-Rail Mounting, 300mA TO 30A, Class 2FS	ELR200D90370000	2950
iELR-200D	Earth Leakage Relay, DIN-Rail Mounting, 300mA TO 30A, Class 2FS, RS 485	ELR200D91370000	4550

## Accessories: CBCT



Model	Description	CATCODE	Unit LP- ₹
<b>Tape Wound Round CBCT</b>			
CBCT-60mm	Tape Wound Round CBCT	CBCTT0060XX0435	1350
CBCT-100mm	Tape Wound Round CBCT	CBCTT0100XX0436	1380
CBCT-150mm	Tape Wound Round CBCT	CBCTT0150XX0437	1540
CBCT-200mm	Tape Wound Round CBCT	CBCTT0200XX0438	2500
CBCT-250mm	Tape Wound Round CBCT	CBCTT0250XX0439	2750
CBCT-300mm	Tape Wound Round CBCT	CBCTT0300XX0440	3000
<b>Plastic Enclosure Round CBCT</b>			
CBCT-38mm	Plastic enclosure Round CBCT	CBCTP0060XX0450	1600
CBCT-57mm	Plastic enclosure Round CBCT	CBCTP0100XX0441	1650
CBCT-92mm	Plastic enclosure Round CBCT	CBCTP0150XX0442	1640
CBCT-105mm	Plastic enclosure Round CBCT	CBCTP0200XX0443	1700
CBCT-120mm	Plastic enclosure Round CBCT	CBCTP0250XX0444	2750
CBCT-210mm	Plastic enclosure Round CBCT	CBCTP0300XX0445	3000
<b>Tape Wound Rectangular CBCT</b>			
CBCT-250 X 100mm	Tape Wound rectangular CBCT	CBCTT0250100446	Price on Request
CBCT-300 X 100mm	Tape Wound rectangular CBCT	CBCTT0300100483	
CBCT-350 X 100mm	Tape Wound rectangular CBCT	CBCTT0350100484	
CBCT-350 X 150mm	Tape Wound rectangular CBCT	CBCTT0350150447	
CBCT-400 X 200mm	Tape Wound rectangular CBCT	CBCTT0400200485	
CBCT-500 X 200mm	Tape Wound rectangular CBCT	CBCTT0500200448	

**Note:** Customized rectangular CBCT available on request.

EX-stock

Regular (Delivery in 5 working days)

# Multifunction Transducer

Analog process signals for various electrical parameters such as voltage, current, Hz, kW, kVA, PF, kVAr & kWh



## Transducer

- **Universal Auxiliary input** of 80 to 300V AC/DC
- **2kV Isolation** from : Input signal to output signal, Output 1 to Output 2
- Monitor and Programmable **display parameters at site (A,V,HZ,W,VA,PF, THD & VAR)** based on Models. Energy displays on some models
- Most **Compact Din Rail transducer**- 4 DIN
- Quick Response time of 300ms in display
- Communication Sets to **Protection mode** during high voltage/current
- Configurable single phase/ three phase input and output
- Available upto **Dual output** and RS485 override selection for desired value and range
- On site **configurable Input and Output** parameters
- **Configuration box** for lower end programmability
- 6 digit patented display on high end models - Programmable Min, Mid and Max at site

Model	Description	CATCODE	Unit LP - ₹
<b>AC Voltage Transducer with single output: 2 DIN (90x36mm)</b>			
TR 110	AC voltage Transducer, Class 0.2% with single output with aux 60 to 300 V	TR0110D30XX1087	3050
TR 110	AC voltage Transducer, Class 0.5% with single output with aux 24 to 60 V DC	TR0110D40XX10CH	3250
TR 110	AC voltage Transducer, Class 0.5% with single output with aux 60 to 300 V AC/DC	TR0110D40XX1087	2450

<b>AC Current Transducer with single output: 2 DIN (90x36mm)</b>			
TR 120	AC current transducer, accuracy class 0.2% with single output with aux 60 to 300 V	TR0120D30001087	3050
TR 120	AC current Transducer, Class 0.5% with single output with aux 24 to 60 V DC	TR0120D400010CH	3250
TR 120	AC current transducer, accuracy class 0.5% with single output with auc 60 to 300 V AC/C	TR0120D40001087	2500

<b>Frequency Transducer with single output: 2 DIN (90x36mm)</b>			
TR 130	Frequency Transducer, Class 0.2% with single output with aux 24 to 60 V DC	TR0130D30XX00CL	3250
TR 130	Frequency Transducer, accuracy class 0.2% with single output with auc 60 to 300 V AC/DC	TR0130D30XX10CJ	2700

Transducer Continued....

Model	Description	CATCODE	Unit LP - ₹
<b>AC Voltage Transducer with dual output: 4 DIN (90x72mm)</b>			
TR 1200	AC voltage Transducer, Class 0.5% with dual output with aux 24 to 60 V DC	TR1200D40XX11CH	4650
TR 1200	AC voltage Transducer, Class 0.5% with dual output with aux 60 to 300 V AC/DC	TR1200D40XX1100	4200

<b>AC Current Transducer with dual output: 4 DIN (90x72mm)</b>			
TR 1200	AC current Transducer, Class 0.5% with dual output with aux 24 to 60 V DC	TR1200D400011CH	4650
TR 1200	AC current transducer, accuracy class 0.5% with dual output with auc 60 to 300 V AC/C	TR1200D40001100	4200

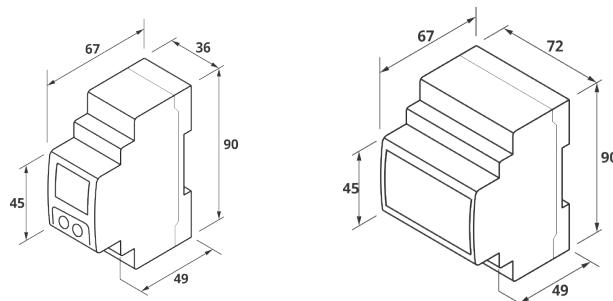
<b>Frequency Transducer with dual output: 4 DIN (90x72mm)</b>			
TR 1200	Frequency Transducer, Class 0.2% with dual output with aux 24 to 60 V DC	TR1200D30XX11CL	4650
TR 1200	Frequency Transducer, accuracy class 0.2% with dual output with auc 60 to 300 V AC/DC	TR1200D30XX11CJ	4200

<b>Power/PF Transducer with single output: 4 DIN (90x72mm)</b>			
TR 2100	Power / PF transducer of accuracy Class 0.2 % with single output with aux 24 to 60 VDC	TR2100D300010CH	7950
TR 2100	Power / PF transducer of accuracy Class 0.5 % with single output with aux 24 to 60 VDC	TR2100D400010CH	7250
TR 2100	Power/PF transducer of accuracy Class 0.2% with single output with aux 60 to 300 V AC/DC	TR2100D30001000	7500
TR 2100	Power/PF transducer of accuracy Class 0.5% with single output with aux 60 to 300 V AC/DC	TR2100D40001000	7050

<b>Power/PF Transducer with Dual output: 4 DIN (90x72mm)</b>			
TR 2200	Power / PF transducer of accuracy Class 0.2 % with dual output with aux 24 to 60 VDC	TR2200D300011CH	8460
TR 2200	Power / PF transducer of accuracy Class 0.5 % with dual output with aux 24 to 60 VDC	TR2200D400011CH	7950
TR 2200	Power/PF transducer of accuracy Class 0.2% with dual output with aux 60 to 300 V AC/DC	TR2200D30001109	7950
TR 2200	Power/PF transducer of accuracy Class 0.5% with dual output with aux 60 to 300 V AC/DC	TR2200D40001109	7500
TR 2200	Power / PF transducer of accuracy Class 0.2 % with dual output and 485 with aux 24 to 60 VDC	TR2200D310011CH	11400
TR 2200	Power/PF transducer of accuracy Class 0.2% with dual output and 485 with aux 60 to 300 V AC/DC	TR2200D31001109	9300

<b>Multifunction Transducer with Analog Output: 4 DIN (90x72mm)</b>			
TR 4200	Multifunction Transducer, Class 0.5, RS485, 5A Inbuilt, 2 AO with display	TR4200D41001109	15600
TR 4200	Multifunction Transducer, Class 0.2, RS485, 5A Inbuilt, 2 AO with display	TR4200D31001109	19500
TR 5200	Multifunction Transducer with energy parameter, Class 0.5, RS485, 5A Inbuilt, 2 AO with display	TR5200D41001109	18000
TR 5200	Multifunction Transducer with energy parameter, Class 0.2, RS485, 5A Inbuilt, 2 AO with display	TR5200D31001109	22500

**Mechanical Diagram:**





## Isolator

- **Universal Auxiliary** 80 to 300V AC/DC
- **Reliable and field proven safety mechanism** isolates input and output during high voltage or current to ensure equipment is safe
- **Most Compact Din Rail** Isolator- 4 DIN
- Available upto **Dual output and RS485**

Model	Description	CATCODE	Unit LP - ₹
<b>Isolator with single output: 4 DIN (90x72mm)</b>			
ISO 100	Isolator with 4-20 mA DC and 4-20 mA (single output) with 0.5% accuracy with 24-60 V AC/DC	ISO100D402X10CH	2950
ISO 100	Isolator with 4-20 mA DC and 4-20 mA (single output) with 0.2% accuracy with 24-60 V AC/DC	ISO100D302X10CH	3500
ISO 100	Isolator with 0-75 mV DC and 4-20 mA (single output) with 0.5% accuracy with 24-60 V AC/DC	ISO200D40NX10CH	2950
ISO 100	Isolator with 0-75 mV DC and 4-20 mA (single output) with 0.2% accuracy with 24-60 V AC/DC	ISO100D30NX10CH	3500
ISO 100	Isolator with 5-200 V DCwith 4-20 mA (single output) with 0.5% accuracy with 24-60 V AC/DC (Customized)	ISO100D40XX10CM	2950
ISO 100	Isolator with 200 - 500 V DC with 4-20 mA (single output) with 0.5% accuracy with 24-60 V AC/DC (Customized)	ISO100D40XX10CN	2950
ISO 100	Isolator with 0-75 mV DC and 4-20 mA (single output) with 0.5% accuracy with 60-300 V AC/DC	ISO100D40NX1000	2500
ISO 100	Isolator with 0-75 mV DC and 4-20 mA (single output) with 0.2% accuracy with 60-300 V AC/DC	ISO100D30NX1000	2800
ISO 100	Isolator with 4-20 mA DC and 4-20 mA (single output) with 0.5% accuracy with 60-300 V AC/DC	ISO100D402X1000	2500
ISO 100	Isolator with 4-20 mA DC and 4-20 mA (single output) with 0.2% accuracy with 60-300 V AC/DC	ISO100D302X1000	2800
ISO 100	Isolator with 24-100 V DCwith 4-20 mA (single output) with 0.5% accuracy with 60-300 V AC/DC(Customized)	ISO100D40XX10BO	2950
ISO 100	Isolator with 200 - 500 V DC with 4-20 mA (single output) with 0.5% accuracy with 60-300 V AC/DC(Customized)	ISO100D40XX10CI	2500

<b>Isolator with single output: 4 DIN (90x72mm)</b>			
ISO 200	Isolator with 0-75 mV DC and 4-20 mA (dual output) with 0.5% accuracy with 60-300 V AC/DC	ISO200D40NX1100	3500
ISO 200	Isolator with 0-75 mV DC and 4-20 mA (dual output) with 0.2% accuracy with 60-300 V AC/DC	ISO200D30NX1100	4050
ISO 200	Isolator with 4-20 mA DC and 4-20 mA (dual output) with 0.5% accuracy with 60-300 V AC/DC	ISO200D402X1100	3500
ISO 200	Isolator with 4-20 mA DC and 4-20 mA (dual output) with 0.2% accuracy with 60-300 V AC/DC	ISO200D302X1100	4050
ISO 200	Isolator with 5-200 V DC with 4-20 mA (dual output) with 0.5% accuracy with 60-300 V AC/DC (Customized)	ISO200D40XX11BO	3800
ISO 200	Isolator with 200 - 500 V DC with 4-20 mA (dual output) with 0.5% accuracy with 60-300 V AC/DC(Customized)	ISO200D40XX11CI	3800
ISO 200	Isolator with 0-75 mV DC and 4-20 mA (dual output) with 0.5% accuracy with 24-60 V AC/DC	ISO200D40NX11CH	3500
ISO 200	Isolator with 0-75 mV DC and 4-20 mA (dual output) with 0.2% accuracy with 24-60 V AC/DC	ISO200D30NX11CH	4050
ISO 200	Isolator with 4-20 mA DC and 4-20 mA (dual output) with 0.5% accuracy with 24-60 V AC/DC	ISO200D402X11CH	3500
ISO 200	Isolator with 4-20 mA DC and 4-20 mA (dual output) with 0.2% accuracy with 24-60 V AC/DC	ISO200D302X11CH	4050
ISO 200	Isolator with 5-200 V DCwith 4-20 mA (dual output) with 0.5% accuracy with 24-60 V AC/DC (Customized)	ISO200D40XX11CM	3750
ISO 200	Isolator with 200 - 500 V DC with 4-20 mA (dual output) with 0.5% accuracy with 24-60 V AC/DC (Customized)	ISO200D40XX11CN	3800

### Note:

15 - 60V AC/DC Aux. version available (MOQ).

EX-stock Regular (Delivery in 5 working days)



Prepaid / Postpaid

## Smart Prepaid & Postpaid meters

Easy and efficient prepaid/postpaid energy billing meters, along with options for water and gas integration.

### AC Static Watt Hour Meter (Prepaid/Postpaid)



- Default dual source
- Communication options:, **RS485 and LoRa**
- **Remote firmware** upgradation
- **Three in one option:** Integrate gas & water upto 4 DI
- Programmable tariff for EB, DG and DI for automatic reduction of balance even when PC is down
- Configurable Holidays, Happy hours to avoid load switching on Holidays/Night
- **Alarm notifications** for low credit balance
- Eliminate tenant disputes, meter tampering & manual tariff reading errors

### LoRa Communication



- Three in one option: Integrate gas and water upto 2DI
- No dependency with service provider. you can make private network without requirement of tower
- Limited amount of data transfer to ensure data delivery
- **Completely encrypted** End to End solutions
- Gateway with Ethernet Default and Optional **4G connectivity**
- Data delivery to the **PC through MQTT**, More devices can be connected to one single server
- Long range upto **1.0kM radius**, 0.75kM if multiple tall buildings
- **Multiple applications network** for EB / DG broadcasting for PPM meters

EX-stock

Regular (Delivery in 5 working days)

Model	Description	CATCODE	Unit LP- ₹
<b>Single Phase Dual Source Post Paid Meter</b>			
PE 5121	Single Phase Dual Source Post Paid Meter, Class 1.0, RS485, 10/60A Direct	PE5121O017500CE	7500
PE 5121	Single Phase Dual Source Post Paid Meter, Class 1.0, RS485, 10/60A Direct, 2DI	PE5121O017505CD	10000
PE 5121	Single Phase Dual Source Post Paid Meter, Class 1.0, RS485, 10/60A Direct, LoRa	PE5121O0F7500CE	10850
PE 5121	Single Phase Dual Source Post Paid Meter, Class 1.0, RS485, 10/60A Direct, 2DI, LoRa	PE5121O0F7505CE	13400

<b>Single Phase Dual Source Prepaid Meter</b>			
PE 5121	Single Phase Dual Source Prepaid Meter, Class 1.0, RS485, 10/60A Direct	PE5121O017500CB	9750
PE 5121	Single Phase Dual Source Prepaid Meter, Class 1.0, RS485, 10/60A, Direct, 2DI	PE5121O017505CB	12250
PE 5121	Single Phase Dual Source Prepaid Meter, Class 1.0, RS485, 10/60A Direct, LoRa	PE5121O0F7500CB	13050
PE 5121	Single Phase Dual Source Prepaid Meter, Class 1.0, RS485, 10/60A Direct, 2DI, Lora	PE5121O0F7505CB	15550

<b>Three Phase Dual Source Post Paid Meter</b>			
PE 5120-P	Three Phase Dual Source Post Paid Meter, Class 1.0, RS485, 20/80A Direct	PE5120P019500CE	10000
PE 5120-P	Three Phase Dual Source Post Paid Meter, Class 1.0, RS485, 10/60A Direct	PE5120P017500CE	10850
PE 5120-P	Three Phase Dual Source Post Paid Meter, Class 1.0, RS485, 10/60A Direct, LoRa	PE5120P0F7500CE	14200
PE 5120	Three Phase Dual Source Post Paid Meter, Class 1.0, RS485, 10/60A Direct, 4DI	PE5120O017507CE	14450
PE 5120-P	Three Phase Dual Source Post Paid Meter, Class 1.0, RS485, 10/60A Direct, 2DI, LoRa	PE5120P0F7505CE	17800

<b>Three Phase Dual Source Prepaid Meter</b>			
PE 5120-P	Three Phase Dual Source Prepaid Meter, Class 1.0, RS485, 10/60A Direct	PE5120P017500CB	14750
PE 5120-P	Three Phase Dual Source Prepaid Meter, Class 1.0, RS485, 10/60A Direct, LoRa	PE5120P0F7500CB	18100
PE 5120-P	Three Phase Dual Source Prepaid Meter, Class 1.0, RS485, 20/80A Direct	PE5120P019500CB	16700
PE 5120	Three Phase Dual Source Prepaid Meter, Class 1.0, RS485, 10/60A Direct, 4DI	PE5120O017507CB	18350
PE 5120-P	Three Phase Dual Source Prepaid Meter, Class 1.0, RS485, 10/60A Direct, 2DI, LoRa	PE5120P0F7505CB	21700

<b>Three Phase Trisource Prepaid Meter</b>			
PE 5120-P	Three Phase Trisource Prepaid Meter, Class 1.0, RS485, 10/60A Direct	PE5120P017500CC	17550
PE 5120	Three Phase Trisource Prepaid Meter, Class 1.0, RS485, 10/60A Direct, 4DI	PE5120O017507CC	21150
PE 5120-P	Three Phase Trisource Prepaid Meter, Class 1.0, RS485, 10/60A Direct, LoRa	PE5120P0F7500CC	22500
PE 5120	Three Phase Trisource Prepaid Meter, Class 1.0, RS485, 10/60A Direct, 2DI, LoRa	PE5120O0F7505CC	25050

<b>Three Phase Dual Source CT Operated Post Paid Meter</b>			
PE 5120-P	Three Phase Dual Source Post Paid Meter, Class 1.0, RS485, 5A CT Operated	PE5120P010600CE	10850
PE 5120-P	Three Phase Dual Source Post Paid Meter, Class 1.0, RS485, 5A CT Operated, LoRa	PE5120P0F0600CE	14200
PE 5120	Three Phase Dual Source Post Paid Meter, Class 1.0, RS485, 5A CT Operated, 4DI	PE5120O010607CE	14450
PE 5120	Three Phase Dual Source Post Paid Meter, Class 1.0, RS485, 5A CT Operated, 2DI, LoRa	PE5120O0F0605CE	17800

<b>Three Phase Dual Source CT Operated Prepaid Meter</b>			
PE 5120-P	Three Phase Dual Source Prepaid Meter, Class 1.0, RS485, 5A CT Operated, LoRa	PE5120P0F0600CB	18100
PE 5120-P	Three Phase Dual Source Prepaid Meter, Class 1.0, RS485, 5A CT Operated	PE5120P010600CB	14750
PE 5120	Three Phase Dual Source Prepaid Meter, Class 1.0, RS485, 5A CT Operated, 2DI, LoRa	PE5120O0F0605CB	21700
PE 5120	Three Phase Dual Source Prepaid Meter, Class 1.0, RS485, 5A CT Operated, 4DI	PE5120O010607CB	18350

<b>Remote Display Unit</b>			
RU 1000	Remote Display Unit	RU1000OX1XX00AP	1600

## Smart Meter



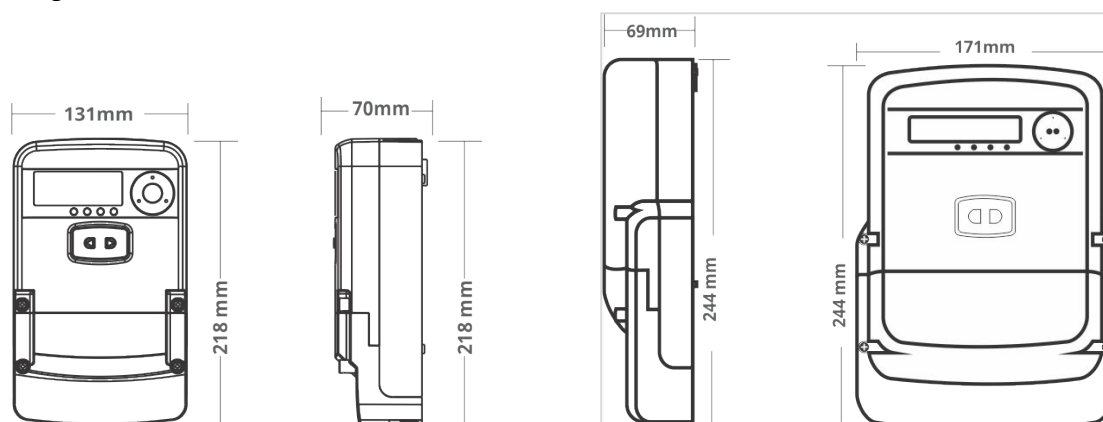
### Features of Post paid meter Plus

- **DLMS communication protocol**
- **Postpaid / Prepaid** (Configurable as per command)  
Separate registers for import and export of power along with MRI downloading feature in these registers.
- Supports 10 different **Anti Tampering features** and supports more than 500 records all together.
- Display the Cumulative **Active Energy** even if the main power is absent.
- Communication options:, **RS485, 4G (LoRa- coming soon)**
- Offers an integrated load profile with up to 7 parameters.
- Allows electricity generated from solar / wind power encourages users to use small scale renewable generating system.
- Consumers can get Import and Export energy data in communication and display
- Periodic and event push to HES

Model	Description	CATCODE	Unit LP - ₹
<b>Smart meter Single Phase Direct (New)</b>			
PE 5121S	Single Phase Smart meter, Class 1.0, RS485, 10/60A Inbuilt,DLMS	PE5121S01700000	9350
PE 5121S	Single Phase Smart meter, Dual Source, Class 1.0, RS485, 10/60A Inbuilt, DLMS	PE5121S01700092	10400
PE 5121S	Single Phase Smart meter, Class 1.0, RS485, 10/60A Inbuilt, GPRS 4G,DLMS	PE5121S0S700000	13500
PE 5121S	Single Phase Smart meter, Dual Source, Class 1.0, RS485, 10/60A Inbuilt, GPRS 4G,DLMS	PE5121S0S700092	14550

<b>Smart meter Three Phase Direct (New)</b>			
PE 5120S	Three Phase Smart meter, Dual Source, Class 1.0, RS485, 10/60A Inbuilt,DLMS	PE5120S01700092	15300
PE 5120S	Three Phase Smart meter, Class 1.0, RS485, 10/60A Inbuilt,DLMS	PE5120S01700000	14200
PE 5120S	Three Phase Smart meter, Class 1.0, RS485, 10/60A Inbuilt, GPRS 4G,DLMS	PE5120S0S700000	19750
PE 5120S	Three Phase Smart meter, Dual Source,Class 1.0, RS485, 10/60A Inbuilt, GPRS 4G,DLMS	PE5120S0S700092	20850

### Mechanical Diagram:



Switchgear products

**Ensuring your power supply to be continuous and reliable.**



Keeping your home always powered.

# Automatic Changeover With Current Limiter



- Microprocessor based ACCL with current limiter
- Intelligent tripping: inverse curve (*Higher the overload, faster the trip*)
- Inbuilt display of A, V, F, kWh
- Under/over voltage protection for EB and DG
- Single phase contactor based ACCL with off-load switching
- On site field programmable features in single phase ACCL through configurator.

Model	Description	CATCODE	Unit LP - ₹
<b>Single Phase ACCL without Display, 4DIN, Relay Based (12 months warranty)</b>			
iACCL 400	32A Single Phase ACCL without Display, 4DIN, Relay Based	AL0400D00450010	1800
<b>Single Phase ACCL without Display, 4DIN, Contactor Based</b>			
iACCL 400C	32A Single Phase ACCL without Display, Contactor Based	AL0400D004500C6	4050
<b>Single Phase ACCL with Display, 4DIN, Relay Based</b>			
iACCL M400	32A Single Phase ACCL with Display	ALM400D00450009	2490
iACCL M400	32A Single Phase ACCL with Display, RS485	ALM400D01450009	4150
iACCL M100	32A Single Phase ACCL with Display, Lighting & Power load	ALM100D00450009	4250
<b>3 Phase (EB) &amp; Single Phase (DG) ACCL in 144x144mm construction, Contactor Based</b>			
iACCL M330	32A Three Phase (EB) & Single Phase (DG) ACCL	ALM330O00450009	6500
iACCL M330	32A Three Phase (EB) & Single Phase (DG) ACCL, RS485	ALM330O01450009	8200
iACCL M330	40A Three Phase (EB) & Single Phase (DG) ACCL	ALM330O00550009	7200
iACCL M330	40A Three Phase (EB) & Single Phase (DG) ACCL, RS485	ALM330O01550009	8900
<b>3 Phase ACCL, Contactor Based</b>			
iACCL M300	32A Three Phase ACCL	ALM300O00450009	6950
iACCL M300	32A Three Phase ACCL, RS485	ALM300O01450009	8650
iACCL M300	40A Three Phase ACCL	ALM300O00550009	7400
iACCL M300	40A Three Phase ACCL, RS485	ALM300O01550009	9100
iACCL M300	63A Three Phase ACCL	ALM300O00850009	15450
iACCL M300	63A Three Phase ACCL, RS485	ALM300O10850009	17250
iACCL M300	80A Three Phase ACCL	ALM300O00950009	22500
iACCL M300	80A Three Phase ACCL, RS485	ALM300O01950009	24150
iACCL M300	100A Three Phase ACCL	ALM300O00A50009	27000
iACCL M300	100A Three Phase ACCL, RS485	ALM300O01A50009	28650
iACCL M300	125A Three Phase ACCL	ALM300O00C50009	31500
iACCL M300	125A Three Phase ACCL, RS485	ALM300O01C50009	33150

**Note:** More than 63A, delivery dates are 6-8 weeks with quantity above 100 nos. Mention mounting details (Din Rail or Surface) while ordering upto 40A.

EX-stock

Regular (Delivery in 5 working days)

# Automatic Transfer Switch



- Motorized changeover with Inbuilt micro-processor based ATS controller
- AC-32/33B utilization category as per IEC-60947-6-1
- Mode of operation - Auto/Manual/Remote /Cloud connectivity
- High speed solenoid automatic transfer switch for ultra critical application ranges from 63A-6300A
- Closed/Open transition with optional neutral overlapping in Solenoid version

Model	Description	CATCODE	Unit LP - ₹
<b>Automatic Transfer Switch 4P Motorized with Inbuilt Controller: ATeS xxxA</b>			
ATeS 125	63A Automatic Transfer Switch 4P Motorized with Inbuilt Controller	ATS1250008X0017	22800
ATeS 125	100A Automatic Transfer Switch 4P Motorized with Inbuilt Controller	ATS1250X0AX0017	24600
ATeS 125	125A Automatic Transfer Switch 4P Motorized with Inbuilt Controller	ATS1250X0CX0017	26150
ATeS 250	160A Automatic Transfer Switch 4P Motorized with Inbuilt Controller	ATS250000KX0017	36200
ATeS 250	200A Automatic Transfer Switch 4P Motorized with Inbuilt Controller	ATS250000DX0017	39450
ATeS 250	250A Automatic Transfer Switch 4P Motorized with Inbuilt Controller	ATS250000EX0017	42600
ATeS 630	315A Automatic Transfer Switch 4P Motorized with Inbuilt Controller	ATS630000RX0017	61250
ATeS 630	400A Automatic Transfer Switch 4P Motorized with Inbuilt Controller	ATS630000FX0017	62400
ATeS 630	630A Automatic Transfer Switch 4P Motorized with Inbuilt Controller	ATS630000GX0017	63500
ATeS 1250	800A Automatic Transfer Switch 4P Motorized with Inbuilt Controller	AT1250000HX0017	152250
ATeS 1250	1000A Automatic Transfer Switch 4P Motorized with Inbuilt Controller	AT1250000IX0017	159400
ATeS 1250	1250A Automatic Transfer Switch 4P Motorized with Inbuilt Controller	AT1250000JX0017	165050
ATeS 1600	1600A Automatic Transfer Switch 4P Motorized with Inbuilt Controller	AT1600000WX0017	186550

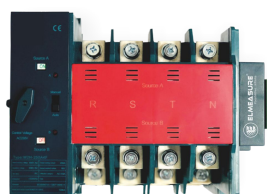
## Remote Display Unit

ATeS	ATS Remote Display Unit	ACCR--0000339	7950
------	-------------------------	---------------	------

## Remotely Operated 4P Motorized Changeover Switch

ATeS R 63	63A Remotely Operated 4P Motorized Changeover Switch	ATR0630008X0017	19800
ATeS R 100	100A Remotely Operated 4P Motorized Changeover Switch	ATR100000AX0017	21400
ATeS R 125	125A Remotely Operated 4P Motorized Changeover Switch	ATR125000CX0017	22950
ATeS R 160	160A Remotely Operated 4P Motorized Changeover Switch	ATR160000KX0017	32700
ATeS R 200	200A Remotely Operated 4P Motorized Changeover Switch	ATR200000DX0017	35900
ATeS R 250	250A Remotely Operated 4P Motorized Changeover Switch	ATR250000EX0017	39000

## Solenoid based Automatic Transfer Switch (Open / Closed Transition)



Model No.	Rating (AMPS)	Description	Unit LP - ₹
<b>ATS-W2H-OTT *</b>	<b>63 - 500A</b>	ATS 4 Pole 2 Position Open Transfer Switch	<b>Price on Request</b>
<b>ATS-WN3-OTTS #</b>	<b>630 - 6300A</b>	ATS 4 Pole Open Transfer Switch	
<b>ATS-WN3-CTTS</b>	<b>63 - 6300A</b>	ATS 4 Pole Closed Transition Transfer Switch	
<b>ATS-WN3-B-CTTS Series</b>	<b>63 - 6300A</b>	ATS 4 Pole Closed Transition with Maintenance Bypass	

**Note:** \* ATS Controller Optional # Neutral Overlapping Optional

# Manual Transfer Switch



- 3 Position/4 Pole On-load changeover Switch
- Utilization category - AC 23 ( Withstand high in-rush current )
- Modular and compact design
- Design to withstand high thermal condition
- Tolerance to high electrical and mechanical characteristics
- Inbuilt auxiliary contact for source 1 and source 2 indication output

Model	Description	CATCODE	Unit LP - ₹
<b>4 Pole Manual Transfer Switch: 415V AC - 50 Hz</b>			
MTS 63A	63A 4 Pole Manual Transfer Switch	MTS063O008X0096	4900
MTS 100A	100A 4 Pole Manual Transfer Switch	MTS100O00AX0096	6450
MTS 125A	125A 4 Pole Manual Transfer Switch	MTS125O00CX0096	9450
MTS 160A	160A 4 Pole Manual Transfer Switch	MTS160O00KX0096	10650
MTS 200A	200A 4 Pole Manual Transfer Switch	MTS200O00DX0096	12650
MTS 250A	250A 4 Pole Manual Transfer Switch	MTS250O00EX0096	19100
MTS 315A	315A 4 Pole Manual Transfer Switch	MTS315O00RX0096	19750
MTS 400A	400A 4 Pole Manual Transfer Switch	MTS400O00FX0096	29100
MTS 630A	630A 4 Pole Manual Transfer Switch	MTS630O00GX0096	35500



## ATS Controller

- Universal auxiliary input of 80 to 300V AC/DC
- Controlling of automatic transfer switch, contactors, circuit breakers and other motorized Switch gears
- Remote monitoring and communication option.
- Fire Alarm and emergency. DG start
- Configurable Timer - Generator start, transfer delay, restore delay and generator cooling time
- Programmable ; 1phase/3phase healthy selection for primary source
- Under voltage and overvoltage protection
- Monitor and displays VLL, VLN and Hz for Source I & Source II (C40)
- A, KVA and KVAh for Source I & Source II (M40)
- Individual phase overload detection for M40

Model	Description	CATCODE	Unit LP - ₹
<b>ATS Controller</b>			
ATeS C40	Automatic Transfer Switch Controller RS485 1 DI 3Ph 4Pole	ATSC40D01040017	19000
ATeS M40	Automatic Transfer Switch Controller Class 1 RS485 100A Hanging	AT0M40D01A30000	23000

# Intelligent Networking devices

Connecting your machines to the monitoring platform seamlessly.



## IoT Gateway

- **Compact Size** - 2 DIN
- 2kVA isolation for RS485
- **Modbus / MQTT** Protocol
- Configurable RS485 baud rate, parity and stop Bit
- **Built-in RTC** in GW series
- **One Touch Recovery**
- Data storage for GW series
- Remote firmware upgradation

Model	Description	CATCODE	Unit LP - ₹
GW 1000	Gateway RS485+Ethernet- Transparent	GW1000OXGX0000	19000
GW 1000	Gateway RS485 - GPRS	GW1000OXOX0000	21000
GW 2000	Gateway RS485+Ethernet- Mqtt DL-14Gb	GW2000OXHX0016	26000
GW 2000	Gateway RS485 + GPRS DL-14Gb	GW2000OXOX0016	36600
CONUSB	USB to RS485 Converter	ACCR-O-0000000000000000461	12000

**Note:** Stand alone Power supply PS200 Rs. 900/-.



# NANOVIP<sup>®</sup> Power Quality Analyzers

The smartest way to approach the rising Power Quality issues is to address the situation quickly with accurate data.



## Handy PQ analyzer for balanced loads

- Easily portable device with user-friendly interface
- Fully-loaded product at attractive cost
- Suitable for both maintenance engineers and professional auditors

Model	Description	CATCODE	Unit LP - ₹
NanoVip ONE	NanoVIP ONE WITH NANOFLEX 3000A	NV-4NAN1I	109999
NanoVip ONE	NanoVIP ONE WITH 1000A CLAMP	NV-4NAN1E	109999
NanoVip ONE	NanoVIP ONE WITH 200A CLAMP	NV-4NAN1A	109999
NanoVip ONE	NanoVIP ONE WITH 100A CLAMP	NV-4NAN1	83999
NanoVip ONE	NanoVIP ONE WITH 5A CLAMP	NV-4NAN1F	129999



## Feature-rich and powerful PQ analyzer for balanced loads

- Intuitive interface with easy connections
- Professional analysis suitable for the highest requirements
- Over 24 hours with a single full charge

Model	Description	CATCODE	Unit LP - ₹
NanoVip TWO	NanoVIP TWO WITHOUT CLAMPS	NV-4NAN2N	146999



## Feature-rich and powerful PQ analyzer for balanced loads

- High level of accuracy for analytical power quality surveys
- Tariff bands setting for TOD measurements and analysis
- A true energy audit tool

Model	Description	CATCODE	Unit LP - ₹
NanoVip CUBE	NanoVIP CUBE WITHOUT CLAMPS	NV-4NAN3N	174999
NanoVip CUBE	NanoVIP CUBE WF WITHOUT CLAMPS	NV-4NAN3WFN	185999

# NANOVIP® Accessories

## Current Sensors

### Rogowski FlexCT



1A - 1000A  
(ID: 800mm)

5A - 3000A  
(ID: 400mm)

10A - 6000A  
(ID: 600mm)

### Clamp CT



0.1A - 5A AC

0.1A - 200A AC

0.5A - 400A AC /  
0.5A - 600A DC

Model	Description	CATCODE	Unit LP - ₹
NanoFLEX CLAMP	NanoFLEX CLAMP 3000A 600 mm	NV-4AAZ6RP	33999
NanoFLEX CLAMP	NanoFLEX CLAMP 1000A 800 mm	NV-4AAXX	58999
Nano CLAMP	Nano CLAMP 1000A/1V	NV-4AAWSRP	36999
Nano CLAMP	Nano CLAMP 200A/1V	NV-4AR10RP	29999
Nano CLAMP	Nano CLAMP 5A/1V	NV-4AAYVRP	45999
Nano CLIP	Nano Clip On CT 5A/1V- 5 mm	NV-ACCR-O-00432	2999
Nano CLIP	Nano Clip On CT 200A/1V- 25 mm	NV-ACCR-O-00433	4999



# Cut your **ENERGY BILLS** without compromising on the **OUTPUT**.

Elmeasure **iPEMS** solution is a go-to IoT energy and process management solution. Designed specifically for the spinning and the textile industry, The iPEMS solution equally empowers low-level technicians and the mill stakeholders to reduce the UKG, optimize operations, improve machine efficiency, maximize the workforce productivity and save significantly on monthly energy bills.

## Benefits:

- Make huge savings on energy
- Live monitoring & increase productivity
- Reduce machine downtime
- Nullify wastage of expensive resources
- Higher machine utilization & efficiency
- Lower the UKG costs & increase ROI



Get in touch to know more.



**ELMEASURE**<sup>®</sup>  
Possibilities...Infinite

Great  
Place  
To  
Work®

Certified

DEC 2020-NOV 2021

INDIA



## Registered Office

### BENGALURU

PLOT NO.: 47-P, HARDWARE PARK, KIADB, HUVINAYAKANAHALLI, JALA HOBLI, YELAHANKA TALUK, BENGALURU - 562 149. KARNATAKA INDIA  
✉ info@elmeasure.com ☎ Toll Free: 1800 120 5048

### VIETNAM

ELMEASURE VIETNAM PRIVATE LIMITED  
22/15 16 STREET, LONG BINH WARD, DICTRICT 9, HCMC,VN  
✉ info@elmeasure.vn ☎ +84 888 99 0880

## Manufacturing Units

### UNIT I

PLOT NO.: 47-P, HARDWARE PARK, KIADB, HUVINAYAKANAHALLI, JALA HOBLI, YELAHANKA TALUK, BENGALURU - 562 149. KARNATAKA, INDIA

### UNIT II

GOWTHAM GARDEN NO. 4, VEERAPANDI  
COIMBATORE - 641 019. TAMIL NADU, INDIA

### UNIT III

#764, 4TH PHASE, 707, YELAHANKA NEW TOWN, BENGALURU - 560 064.  
KARNATAKA, INDIA

Help Line:

✉ support@elmeasure.com

☎ Toll Free: 1800 120 5048

## Sales Offices:

### BENGALURU

#57, EBENEZER ENCLAVE, NORRIS ROAD, NEAR NANJAPPA CIRCLE  
LANGFORD TOWN, BENGALURU - 560 025. KARNATAKA, INDIA

### COIMBATORE

# 150, RAJ ILLAM, NVN LAYOUT NEW SIDDHAPUDHUR  
COIMBATORE - 641 044. TAMIL NADU, INDIA

### SECUNDERABAD

# 51, 1ST FLOOR, CHANDRAGIRI COLONY, NEAR RTA, THRIMUGHERRY,  
SECUNDERABAD - 500 015. TELANGANA, INDIA

### MUMBAI

# 101, MILLENIUM PLAZA BEHIND SAKINAKA TELEPHONE EXCHANGE,  
ANDHERI - KURLA ROAD SAKINAKA, ANDHERI (EAST)  
MUMBAI - 400 072. MAHARASTRA, INDIA

### DELHI

2,GROUND FLOOR D- 16, SECTOR -3 NOIDA - 201301  
UTTAR PRADESH, INDIA

### SHARJAH OFFICE: ELMEASURE MIDDLE EAST FZE

#SHARJAH AIRPORT FREEZONE, P.O BOX 122471, SHARJAH, UAE.

### USA OFFICE: ELMEASURE USA

1001 E CHICAGO AVE, STE 151, UNIT B134, NAPERVILLE IL 60540