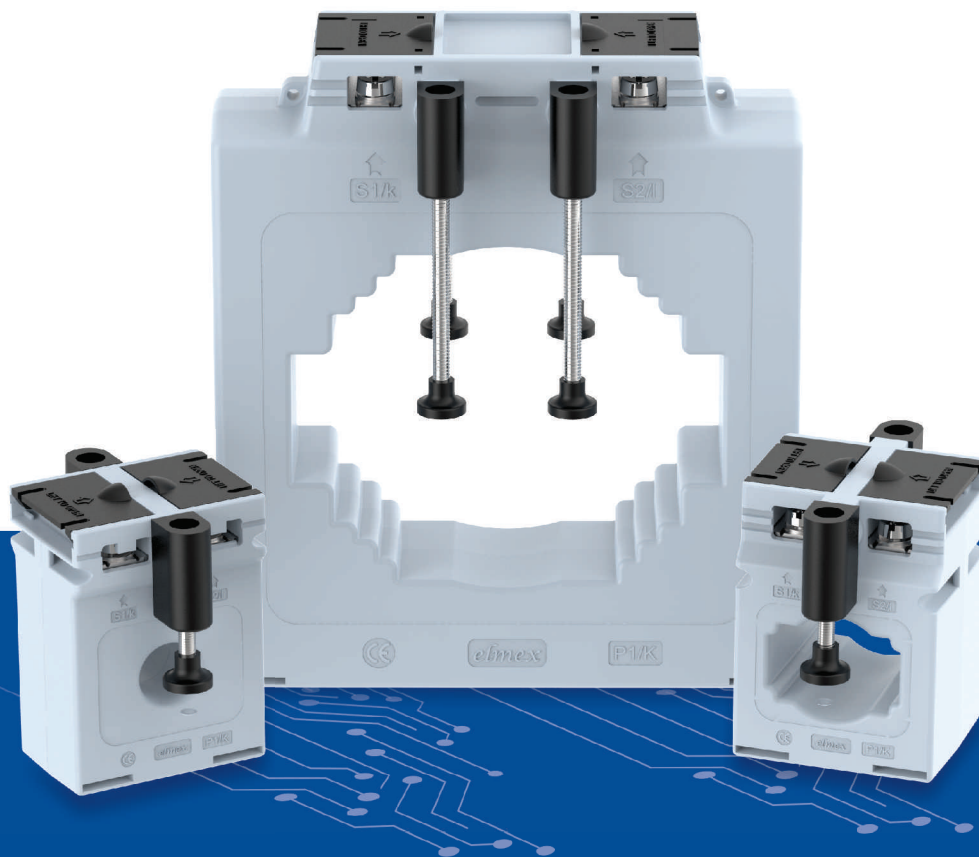




Converging
Innovations  Expanding
Solutions

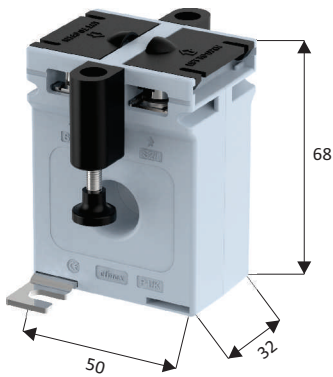


Price List 2021



Solution for
Metering & Protection

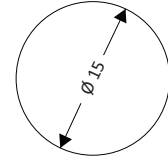
ELP1 (E 15.3)



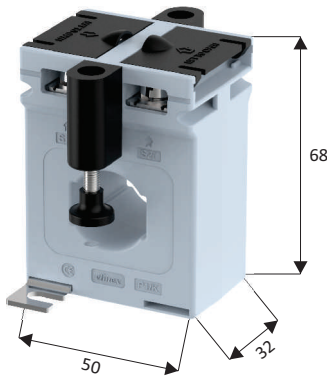
Class	1.0		3.0	
	VA	List Price	VA	List Price
30/5	-	-	1.5	350
40/5	1	325	-	-
100/5	5	350	-	-

Din Rail Mounting Option Available

1C Cable Size	Bus Bar Size
Up to 70 sq.mm	-



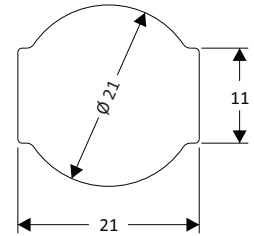
ELP2 (E 21.3)



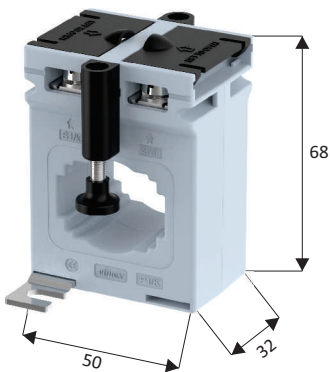
Class	1.0		3.0	
	VA	List Price	VA	List Price
30/5	-	-	1.5	375
50/5	1	350	2.5	330
60/5	1	325	2.5	310
100/5	2.5	330	-	-
150/5	5	350	-	-
200/5	5	350	-	-

Din Rail Mounting Option Available

1C Cable Size	Bus Bar Size
Up to 150 sq.mm	20x10 mm



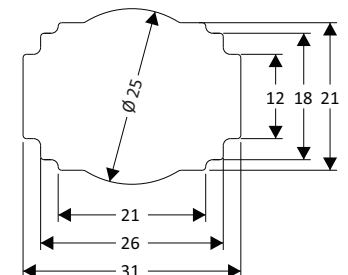
ELP3 (E 31.3)



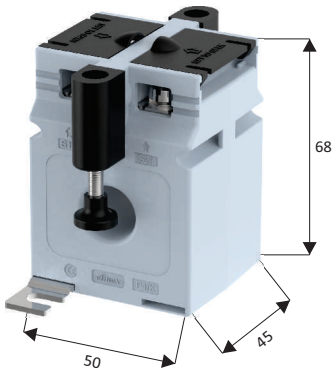
Class	1.0		3.0	
	VA	List Price	VA	List Price
50/5	-	-	1.5	310
60/5	-	-	1.5	300
75/5	-	-	2.5	300
100/5	1.5	310	-	-
150/5	2.5	325	-	-
200/5	3.75	325	-	-
250/5	3.75	340	-	-
300/5	3.75	340	-	-
400/5	5	325	-	-

Din Rail Mounting Option Available

1C Cable Size	Bus Bar Size
Up to 240 sq.mm	30x10 mm
-	25x10 mm



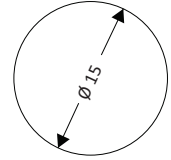
ELPG1 (EG 15.4)



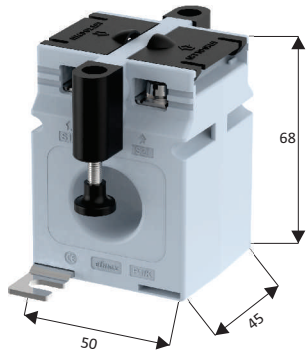
Class	1.0				3.0	
	Ratio	VA	List Price	VA	List Price	List Price
30/5	1	525	-	-	-	415
40/5	1.5	525	-	-	-	-
50/5	1.5	480	-	-	-	-
60/5	1.5	480	3.75	515	-	-
100/5	5	425	-	-	-	-

Din Rail Mounting Option Available

1C Cable Size	Bus Bar Size
Up to 70 sq.mm	-



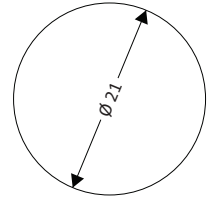
ELPG2 (EG 21.4)



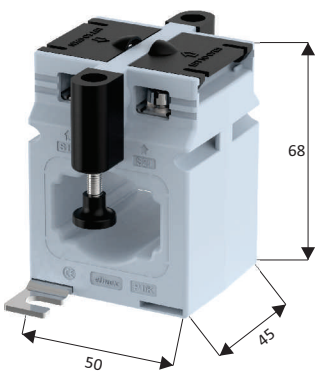
Class	0.5		1.0		3.0	
	Ratio	VA	List Price	VA	List Price	List Price
30/5	-	-	-	-	1.5	380
50/5	1	385	1.5	380	-	-
60/5	-	-	1.5	380	-	-
75/5	-	-	1.5	380	-	-
100/5	-	-	5	400	-	-
125/5	-	-	5	400	-	-
200/5	-	-	10	425	-	-

Din Rail Mounting Option Available

1C Cable Size	Bus Bar Size
Up to 150 sq.mm	-



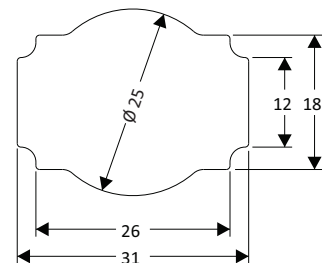
ELPG3 (EG 31.4)



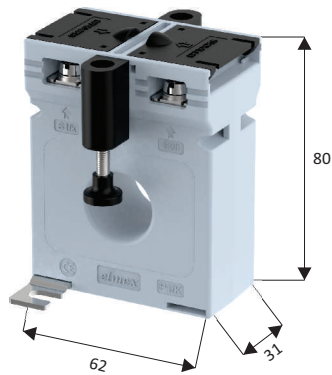
Class	0.5		1.0				3.0	
	Ratio	VA	List Price	VA	List Price	VA	List Price	
50/5	-	-	-	-	-	2.5	330	
60/5	-	-	1	330	-	-	330	
75/5	1	375	-	-	-	-	-	
100/5	2.5	360	3.75	360	-	-	-	
125/5	2.5	390	5	380	-	-	-	
150/5	2.5	390	5	390	-	-	-	
160/5	-	-	5	390	-	-	-	
200/5	3.75	390	5	360	-	-	-	
250/5	5	380	5	375	7.5	380	-	
300/5	-	-	7.5	400	-	-	-	
400/5	-	-	5	360	-	-	-	
600/5	10	385	5	375	-	-	-	

Din Rail Mounting Option Available

1C Cable Size	Bus Bar Size
Up to 240 sq.mm	30x10 mm
-	25x10 mm



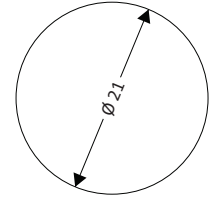
ELPH1 (EH 21.3)



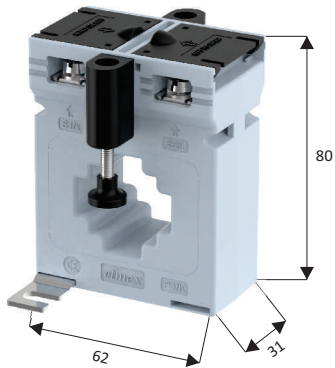
Class	1.0		3.0	
	VA	List Price	VA	List Price
30/5	-	-	2.5	380
100/5	3.75	425	-	-

Din Rail Mounting Option Available

1C Cable Size	Bus Bar Size
Up to 150 sq.mm	-



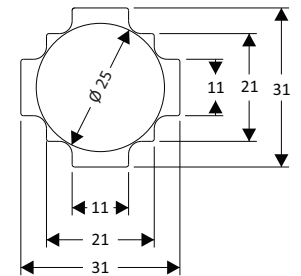
ELPH2 (EH 31.3)



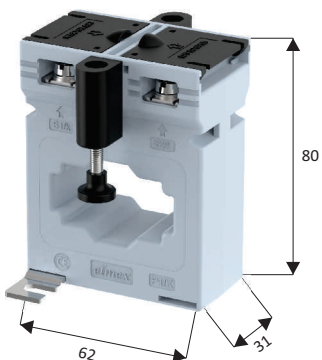
Class	0.5		1.0		3.0		5.0	
	VA	List Price	VA	List Price	VA	List Price	VA	List Price
50/5	-	-	1	360	-	-	-	-
60/5	-	-	1.25	360	-	-	-	-
75/5	-	-	-	-	-	-	-	-
100/5	-	-	3.75	350	5	350	7.5	360
125/5	-	-	5	390	-	-	-	-
150/5	-	-	5	385	5	375	-	-
160/5	-	-	5	375	-	-	-	-
200/5	2.5	350	5	360	-	-	-	-
250/5	-	-	5	365	7.5	375	-	-
300/5	3.75	400	7.5	375	-	-	-	-

Din Rail Mounting Option Available

1C Cable Size	Bus Bar Size
Up to 240 sq.mm	30x10 mm
-	20x20 mm



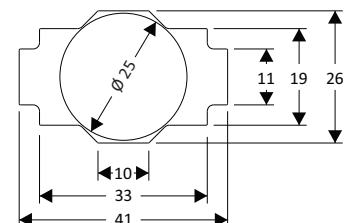
ELPH3 (EH 41.3)



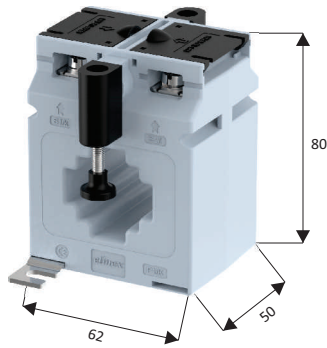
Class	0.5		1.0	
	VA	List Price	VA	List Price
100/5	-	-	1.5	325
125/5	-	-	1.5	325
150/5	-	-	2.5	340
200/5	-	-	2.5	350
250/5	2.5	350	3.75	350
300/5	2.5	350	3.75	350
400/5	-	-	5	350
500/5	-	-	7.5	375

Din Rail Mounting Option Available

1C Cable Size	Bus Bar Size
Up to 240 sq.mm	40x10 mm
-	30x15 mm
-	20x10 mm

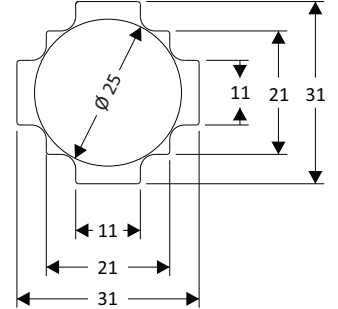


ELPHN2 (EHN 31.5)

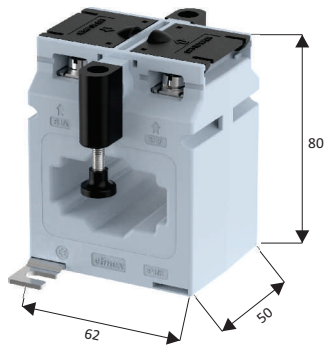


Class	1.0		
Ratio	VA	List Price	
160/5	10	580	
200/5	10	580	
250/5	10	580	

1C Cable Size	Bus Bar Size
Up to 240 sq.mm	30x10 mm
-	20x20 mm

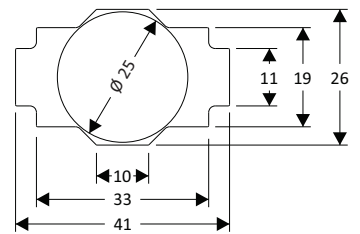


ELPHN3 (EHN 41.5)

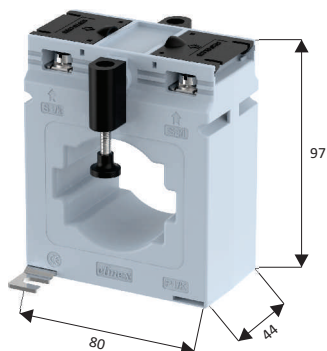


Class	1.0					
Ratio	VA	List Price	VA	List Price	VA	List Price
200/5	5	375	-	-	-	-
250/5	5	375	7.5	390	-	-
300/5	10	400	-	-	-	-
400/5	5	375	10	435	15	425
600/5	10	390	15	475	-	-

1C Cable Size	Bus Bar Size
Up to 240 sq.mm	40x10 mm
-	30x15 mm
-	20x10 mm

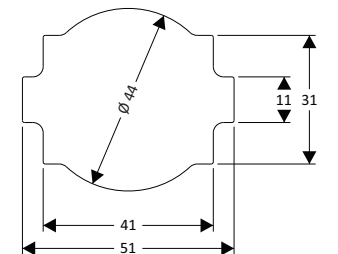


ELPIM3 (EIM 51.4)

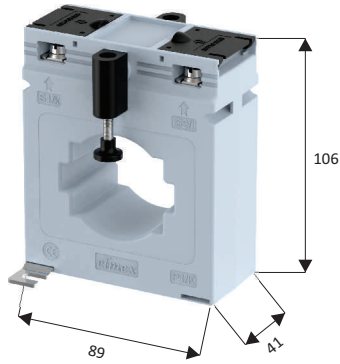


Class	1.0			
Ratio	VA	List Price	VA	List Price
300/5	5	475	-	-
400/5	10	560	-	-
600/5	10	510	15	675
800/5	15	650	-	-

1C Cable Size	Bus Bar Size
Up to 630 sq.mm	50x10 mm
-	2x40x10 mm
-	2x30x10 mm

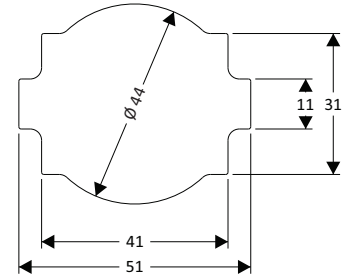


ELPJ2 (EJ 51.4)

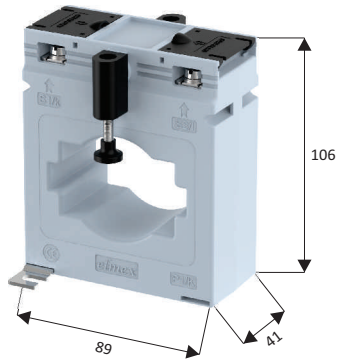


Class	1.0	
Ratio	VA	List Price
400/5	15	600

1C Cable Size	Bus Bar Size
Up to 630 sq.mm	50x10 mm
-	2x40x10 mm
-	2x30x10 mm

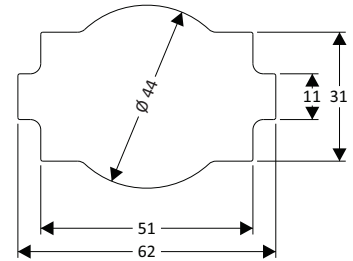


ELPJ3 (EJ 62.4)

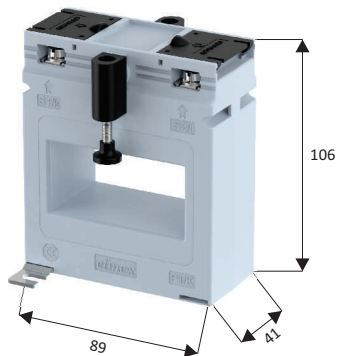


Class	0.5		1.0	
	VA	List Price	VA	List Price
250/5	-	-	5	440
500/5	-	-	10	575
600/5	7.5	600	10	590
800/5	10	660	12.5	575

1C Cable Size	Bus Bar Size
Up to 630 sq.mm	60x10 mm
-	2x50x10 mm



ELPJ4 (EJ 62*2.4)

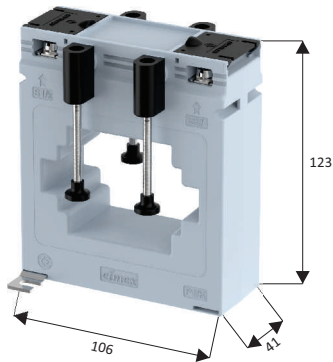


Class	1.0			
	VA	List Price	VA	List Price
200/5	5	475	-	-
250/5	5	475	7.5	530
300/5	5	475	7.5	540
400/5	5	480	-	-
500/5	10	525	15	660
600/5	10	575	15	640
800/5	10	510	20	750
1000/5	25	825	-	-
1200/5	30	850	-	-
1600/5	30	950	-	-

1C Cable Size	Bus Bar Size
Up to 300 sq.mm	2x60x10 mm
-	2x50x10 mm

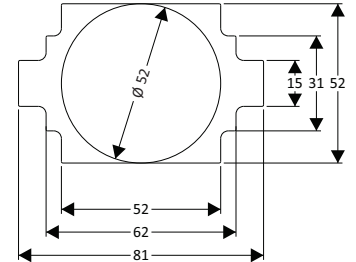


ELPL2 (EL 81.4)

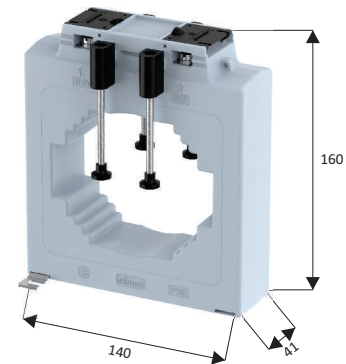


Class	1.0	
Ratio	VA	List Price
600/5	10	650
800/5	15	650
1000/5	15	680

1C Cable Size	Bus Bar Size
Up to 1000 sq.mm	80x12 mm
-	2x60x10 mm
-	3x50x10 mm

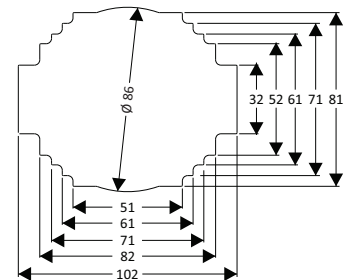


ELPM2 (EM 102*2.4)



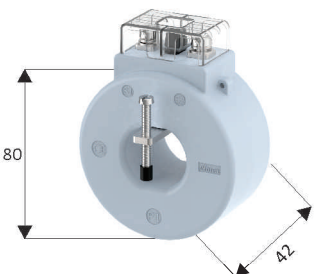
Class	1.0	
Ratio	VA	List Price
800/5	20	860
1000/5	20	950
1200/5	15	875
1600/5	25	1100

1C Cable Size	Bus Bar Size
Up to 1000 sq.mm	2x100x10 mm
-	3x80x10 mm
-	3x70x12 mm
-	4x60x10 mm
-	4x50x10 mm



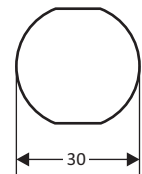
Polycarbonate Encapsulated Ring Type Series

EOPA

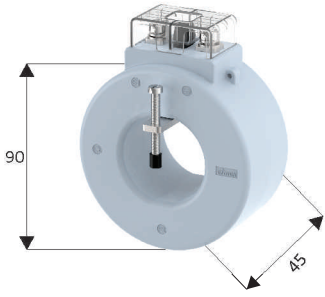


Class	0.5		1.0	
	VA	List Price	VA	List Price
100/5	5	540	5	450
125/5	5	445	5	425
150/5	-	-	5	375

1C Cable Size	Bus Bar Size
Up to 300 sq.mm	25x12 mm
-	25x10 mm
-	20x10 mm

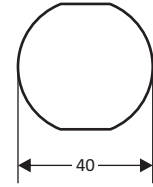


EOPB

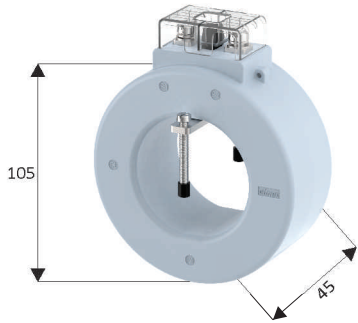


Class	0.5		1.0	
	VA	List Price	VA	List Price
125/5	-	-	5	450
150/5	-	-	5	400
200/5	5	390	5	340
250/5	5	360	5	325

1C Cable Size	Bus Bar Size
Up to 630 sq.mm	30x15 mm
-	30x12 mm
-	30x10 mm

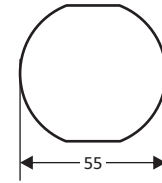


EOPC

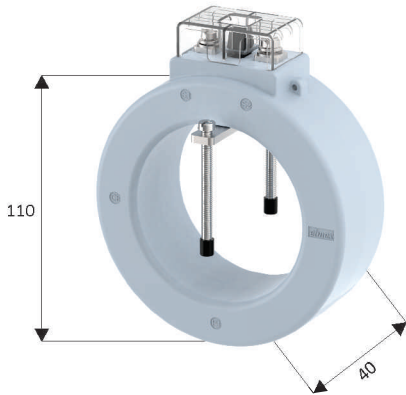


Class	0.5		1.0	
	VA	List Price	VA	List Price
200/5	-	-	5	400
250/5	-	-	5	340
300/5	-	-	5	375
400/5	5	360	5	340
500/5	5	375	-	-
600/5	5	375	-	-
630/5	5	400	-	-

1C Cable Size	Bus Bar Size
Up to 1000 sq.mm	50x15 mm
-	2x40x12 mm

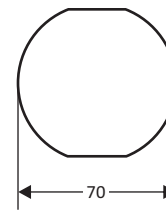


EOPD

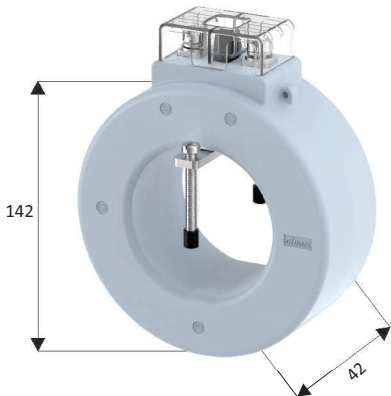


Class	0.5		1.0			
	VA	List Price	VA	List Price	VA	List Price
600/5	-	-	5	340	10	425
800/5	5	400	10	410	-	-

1C Cable Size	Bus Bar Size
Up to 1000 sq.mm	2x60x10 mm
-	2x50x15 mm
-	3x40x10 mm

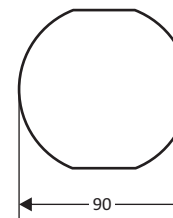


EOPE

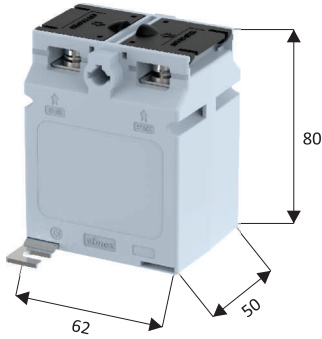


Class	0.5		1.0	
	VA	List Price	VA	List Price
800/5	-	-	10	425
1000/5	5	475	-	-
1250/5	5	510	-	-

1C Cable Size	Bus Bar Size
Up to 1000 sq.mm	2x80x12 mm
-	3x70x10 mm
-	3x60x12 mm
-	3x50x10 mm
-	3x40x15 mm

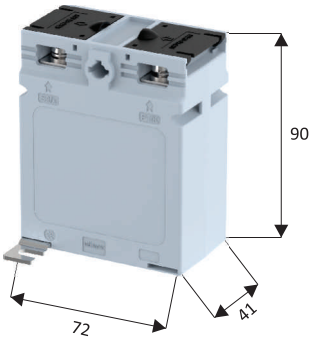


EWPHN (EWN 62/5)



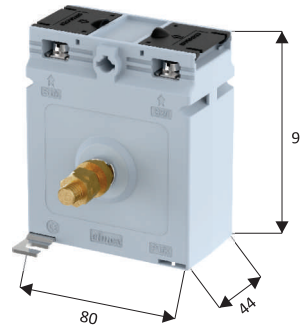
Class	0.5		1.0			
	VA	List Price	VA	List Price	VA	List Price
5/5	-	-	5	500	-	-
10/5	-	-	5	500	-	-
15/5	-	-	5	500	-	-
20/5	-	-	5	500	-	-
25/5	5	550	2.5	375	10	550
30/5	5	550	5	500	-	-

EWPA (EWA 72/4)



Class	1.0	
	VA	List Price
5/5	15	600
10/5	15	625
15/5	15	625

EWPB (EWB 80/4)



Class	1.0	
	VA	List Price
40/5	5	600
60/5	15	700

Advantages of 'elmex' Polycarbonate Encapsulated CTs

- Superior Aesthetics and Consistency of Dimensions
- Multiple Conductor Compatibility: Suitable for different size of Bus bars / conductors in the same CT
- Multiple Mounting Options: Suitable for Bus Bar Mounting as well as Panel Mounting
- Fire Retardant
- Embossed terminal Markings: Eliminates the risk of marking stickers peeling off
- Robust Construction: High Mechanical strength resulting in increased safety during transit
- Option of Terminal sealing: Provides protection from power theft
- Manufactured with State-of-Art processes complying to ISO:14001 and RoHS directive
- Ease of traceability

Certificate and Approvals



ELT

Tape Insulated Rectangular Type Current Transformers



Ratio	Inner Diameter	Outer Diameter	CAT No.	Class 1	
				VA	List Price
800/5	105X60	140X105	ELTA	15	450
1000/5	105X60	140X105	ELTA	10	400
	105X60	140X105	ELTA	15	460
1250/5	105X60	150X110	ELTI	15	490
1600/5	105X60	150X110	ELTI	10	475
	105X60	150X110	ELTI	15	640
2000/5	105X60	150X110	ELTI	10	650
	105X60	150X110	ELTI	15	675
2500/5	130X60	170X110	ELTB	15	700
	160X60	210X115	ELTM	15	660
	170X85	245X160	ELTE	15	790
3000/5	130X85	180X140	ELTK	10	950
3200/5	170X85	245X160	ELTE	15	1250
4000/5	170X85	245X145	ELTN	15	1550
5000/5	170X85	245X145	ELTN	15	1750

Ratio	Inner Diameter	CAT No.	INRs - List Price		
			Class 1		
			5VA	10VA	15VA
100/5	30	EOT30	340	520	800
	40	EOT40	375	575	1250
125/5	30	EOT30	275	420	575
	40	EOT40	300	375	675
150/5	30	EOT30	240	315	450
	40	EOT40	275	375	575
160/5	30	EOT30	250	330	475
	40	EOT40	275	375	590
200/5	30	EOT30	230	330	390
	40	EOT40	240	340	400
	55	EOT55	260	375	430
250/5	40	EOT40	255	320	375
	55	EOT55	275	330	400
300/5	40	EOT40	250	300	400
	55	EOT55	275	330	410
400/5	40	EOT40	240	300	370
	55	EOT55	250	340	380
500/5	55	EOT55	250	340	390
600/5	55	EOT55	275	350	390
	70	EOT70	275	375	400
800/5	70	EOT70	290	360	450
	90	EOT90	300	390	450
1000/5	90	EOT90	-	400	490
	110	EOT110	-	430	500
1200/5	110	EOT110	-	440	490
1250/5	90	EOT90	-	400	475
	110	EOT110	-	440	525
	130	EOT130	-	520	560
1600/5	110	EOT110	-	510	650
	130	EOT130	-	520	650
2000/5	110	EOT110	-	-	725
	130	EOT130	-	-	725
	140	EOT140	-	-	725

EOT

Tape Insulated Ring Type Current Transformers



Ratio	Inner Diameter	CAT No.	INRs - List Price					
			1.5VA		2.5VA		5 VA	
			Class 5	Class 5	Class 1	Class 5	Class 3	Class 1
25/5	30	EOT30	260	-	-	-	-	-
30/5	30	EOT30	230	290	-	-	-	-
40/5	30	EOT30	-	240	-	-	-	-
50/5	30	EOT30	-	240	450	-	-	-
60/5	30	EOT30	-	240	375	-	-	-
75/5	30	EOT30	-	-	-	230	-	385
80/5	30	EOT30	-	-	-	-	-	395
100/5	30	EOT30	-	-	-	215	250	340

Note

- 1) Axial depth shall vary with reference to Class of Accuracy.
- 2) Standard Lead length shall be 100 mm with 2.5 sq.mm. Ring type lug.
- 3) Mounting clamp can be provided on request on chargeable basis.



Elmex Controls Pvt. Ltd. | Elmex Electric Pvt. Ltd.

12, GIDC Estate, Makarpura, Vadodara -390010, Gujarat, India

☎ 0265-2642021 / 23

✉ marketing@elmex.net

🌐 www.elmex.net




Scan for Website



 ElmexControls

 ElmexControls

 ElmexControls

 ElmexControls

 ElmexControls

TECHNICAL SPECIFICATIONS MAY CHANGE IN LINE WITH TECHNICAL ADVANCES AND INDUSTRY STANDARDS.