

## PRICE LIST

Effective From 15th JAN, 2022



# jainson

SINCE 1971



- | **P.G CABLE GLANDS**
- | **H.R.C FUSE FITTING**
- | **POLYAMIDE FLEXIBLE  
CONDUIT PIPE & GLANDS**
- | **A.B.S JUNCTION BOX IP-65**

**CABLE GLANDS - WHITE** HSN CODE 39174000

SR. No.	CAT No.	ITEM	PRICE	STD. PKG
1	JPG-7	PG Thread Cable Glands JPG-7	4.30	100
2	JPG-9	PG Thread Cable Glands JPG-9	5.30	100
3	JPG-11	PG Thread Cable Glands JPG-11	6.80	100
4	JPG-13.5	PG Thread Cable Glands JPG-13.5	7.35	100
5	JPG-16	PG Thread Cable Glands JPG-16	9.00	100
6	JPG-19	PG Thread Cable Glands JPG-19	12.60	100
7	JPG-21	PG Thread Cable Glands JPG-21	13.90	100
8	JPG-25	PG Thread Cable Glands JPG-25	16.50	100
9	JPG-29	PG Thread Cable Glands JPG-29	24.00	50
10	JPG-36	PG Thread Cable Glands JPG-36	44.00	25
11	JPG-42	PG Thread Cable Glands JPG-42	58.00	25
12	JPG-48	PG Thread Cable Glands JPG-48	64.00	25
13	JPG-63	PG Thread Cable Glands JPG-63	120.00	12



**CABLE GLANDS - BLACK** HSN CODE 39174000

SR. No.	CAT No.	ITEM	PRICE	STD. PKG
1	JPG-7	PG Thread Cable Glands JPG-7	4.30	100
2	JPG-9	PG Thread Cable Glands JPG-9	5.30	100
3	JPG-11	PG Thread Cable Glands JPGB-11	6.80	100
4	JPG-13.5	PG Thread Cable Glands JPGB-13.5	7.35	100



**CABLE GLANDS** HSN CODE 39174000

SR. No.	CAT No.	ITEM	PRICE	STD. PKG
1	JPG-7	PG Thread Cable Glands JPG-7 - 12mm	6.25	100
2	JPG-7	PG Thread Cable Glands JPG-7 - 15mm	7.25	100
3	JPG-9	PG Thread Cable Glands JPG-9 - 12mm	9.00	100
4	JPG-9	PG Thread Cable Glands JPG-9 - 15mm	10.00	100



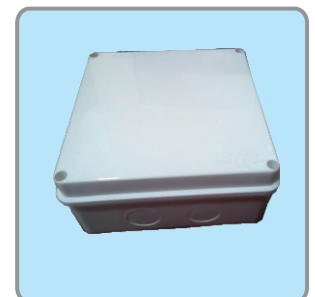
**METRIC THREADED CABLE GLANDS** HSN CODE 39174000

SR. No.	CAT No.	ITEM	PRICE	STD. PKG
1	JPGM-12	Metric Thread Cable Glands JPGM-12mmX1.5	5.50	100
2	JPGM-16	Metric Thread Cable Glands JPGM-16mmX1.5	6.50	100
3	JPGM-20	Metric Thread Cable Glands JPGM-20mmX1.5	8.00	100
4	JPGM-25	Metric Thread Cable Glands JPGM-25mmX1.5	16.00	100
5	JPGM-32	Metric Thread Cable Glands JPGM-32mmX1.5	25.00	100



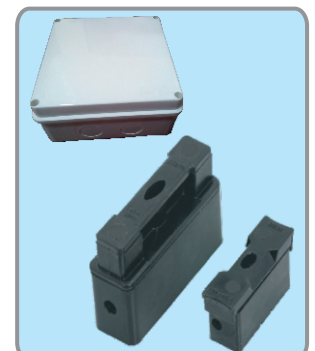
**WATER PROOF JUNCTION BOX-ABS WITHOUT GOURMET** HSN CODE 85359040

SR. No.	CAT No.	ITEM	PRICE	STD. PKG
1	JJB-100	Junction Box 100 x 100 x 70	83.00	180
2	JJB-150110	Junction Box 150 x 110 x 70	142.00	110
3	JJB-150	Junction Box 150 x 150 x 70	165.00	80
4	JJB-200	Junction Box 200 x 155 x 80	220.00	56
5	JJB-255	Junction Box 255 x 200 x 80	320.00	36
6	JJB-300	Junction Box 300 x 250 x 120	600.00	20



**CAMERA BOX** HSN CODE 85359040

SR. No.	CAT No.	ITEM	PRICE	STD. PKG
1	JCB-01	Junction Box 100 x 100 x 70	59.00	180



**H.R.C. FUSE FITTING (FRONT CONNECTION)** HSN CODE 85361020

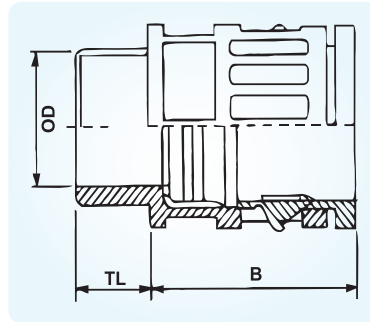
SR. No.	CAT No.	ITEM	PRICE	STD. PKG
1	20 JFC	20 Amp - 415 V	84.00	10
2	32 JFC	32 Amp - 500 V	180.00	6
3	63 JFC	63 Amp - 500 V	260.00	5
4	125 JFC	125 Amp - 500 V	670.00	3

## POLYAMIDE FLEXIBLE CONDUIT GLAND

HSN CODE 39174000

### Technical Details :

Material	Polyamide PA - 6 - V - 2
Temperature Range	-40°C to +105°C Short Term 150°C



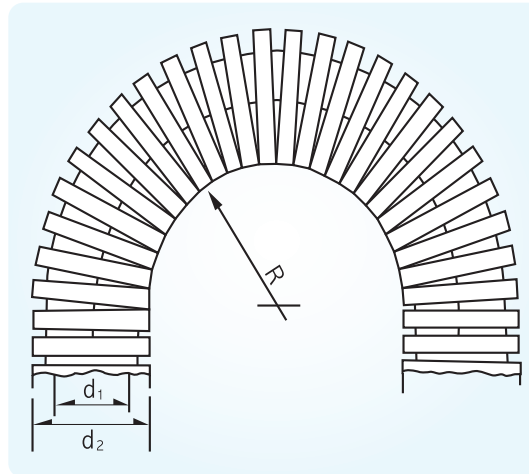
CAT NO BLACK	A D SIZE	THREAD (OD) mm	PIPE (OD) mm	Thread Length mm	(B) mm	PRICE LIST	STD. PKG
JCG - 7	JCG - 10	12.3	6.5	11	18.7	12.00	100
JCG - 9	JCG - 13	15	10	11	21.7	15.00	100
JCG - 11	JCG - 15.8	18.4	12.5	11	26	19.00	100
JCG - 13.5	JCG - 18.4	20.2	14.3	11	28	22.00	100
JCG - 16	JCG - 21.2	22.3	17.0	13	32	28.00	100
JCG - 21	JCG - 28.5	28	23	16	39.5	37.00	50
JCG - 29	JCG - 34.5	36.7	29	16	46.5	54.00	25
JCG - 36	JCG - 42.5	46.7	36	16	55.5	72.00	25

## POLYAMIDE FLEXIBLE CONDUIT PIPE

HSN CODE 39173100

### Technical Details :

Material	Polyamide PA - 6 - V - 2
Tensile Strength	750 N
Impact Strength	(+23°C) > 20 J (-15°C) > 6 J
Temperature Range	-40°C to +120°C Continuous, Short Term 150°C



CAT NO BLACK	A D SIZE	INNER DIAMETER d1 (mm)	OUTER DIAMETER d2 (mm)	BENDING RADIUS R (mm) ± 10%	PRICE/MTR	PACKING/MTR	ROLL/STD PACK
JCP - 7	JCP - 10	6.5	10.0	20	28.00	100	16
JCP - 9	JCP - 13	10	13.0	30	30.00	100	10
JCP - 11	JCP - 15.8	12	15.8	40	42.00	50	10
JCP - 13.5	JCP - 18.4	14.3	18.5	42	47.00	50	10
JCP - 16	JCP - 21.2	16.5	21.2	45	51.00	50	10
JCP - 21	JCP - 28.5	23.5	28.5	55	79.00	50	6
JCP - 29	JCP - 34.5	29	34.5	60	110.00	25	6
JCP - 36	JCP - 42.5	36	42.5	65	147.00	25	6



# jainson



CELEBRATING  
**50** Years  
Of Excellence

**PAWAN ENTERPRISE**

B/22F, Malad Industrial Estate, Kanchpada, Malad (W),  
Mumbai - 400 064. • Cell : 9819927597  
Email : pawanenterprise@yahoo.in